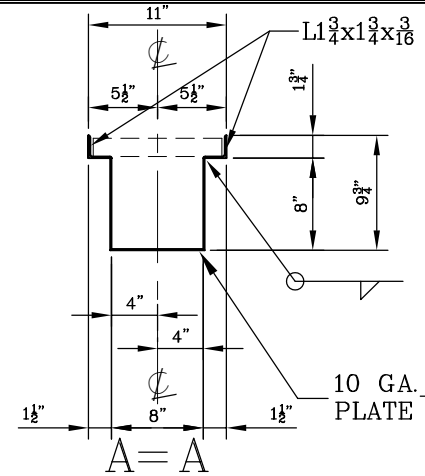
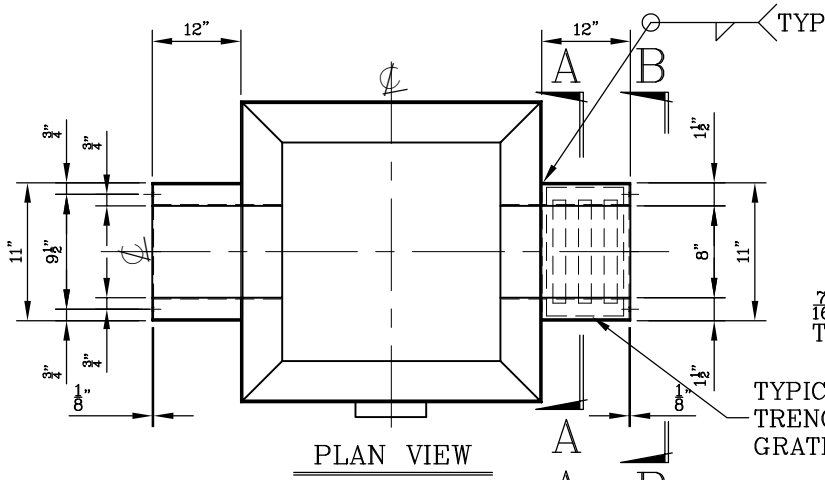


**TYPICAL TRENCH INLET GRATE**

(1 TOTAL FOR EACH INLET)

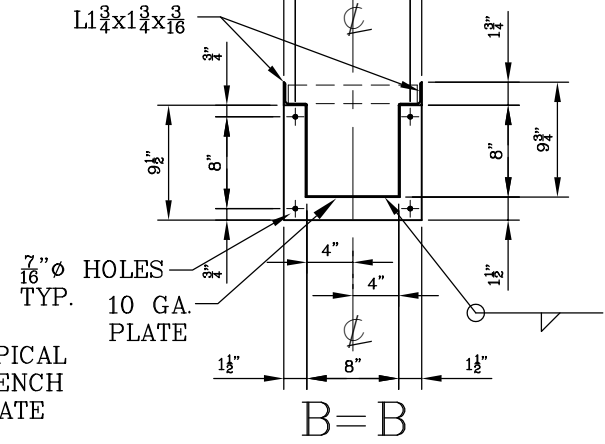


**TRENCH INLET SECTION**

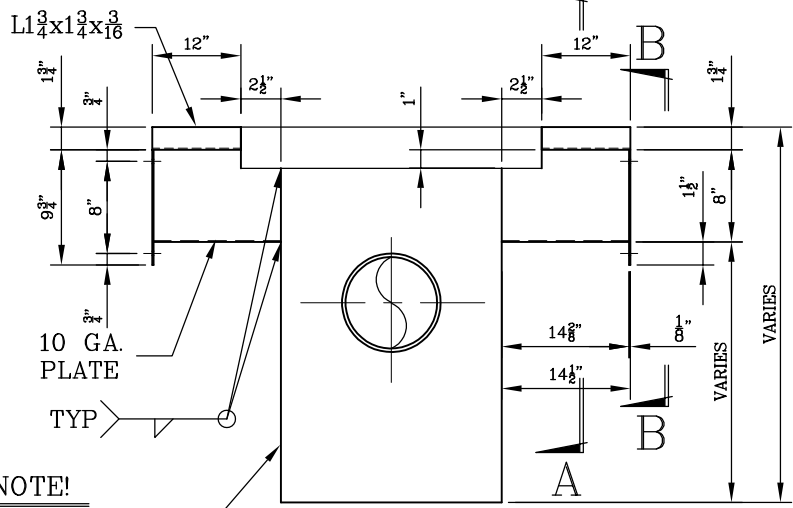


**PLAN VIEW**

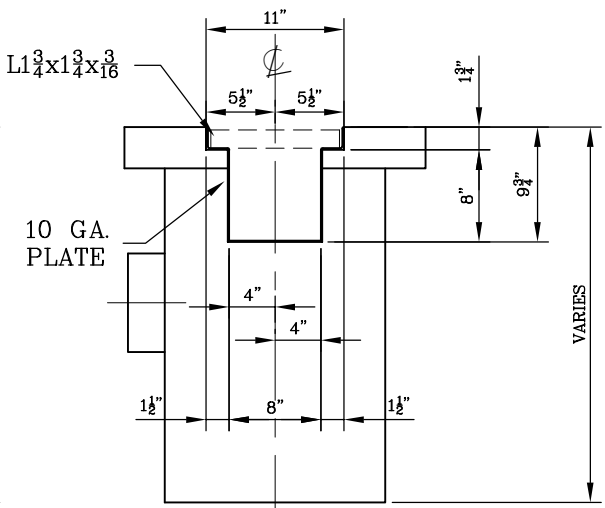
TYPICAL TRENCH GRATE



**END PLATE ELEVATION**



**INLET SIDE ELEVATION**



**INLET FRONT ELEVATION**

**NOTE!**

24" SQUARE STORM SEWER CATCH BASIN (DEPTHS VARY)

**TYPICAL TRENCH DRAIN INLET**

8" WIDE x 8" DEEP INLET

TRENCH DRAIN INLET (STORM SEWER CATCH BASIN)

MODEL: GTDB-88D

DATE: 11/19/2020

SCALE: NONE

DWG #  
**TDB**  
**8D**

**Gibson Steel Basins, Inc.**

1040 Arrowsmith St. Eugene Or. 97402  
(541) 484-7200 or (800) 574-8096

Visit us at: [www.gibsonsteelbasins.com](http://www.gibsonsteelbasins.com)  
Email us at: [sales@gibsonsteelbasins.com](mailto:sales@gibsonsteelbasins.com)

EST. 1996

CCB 150089