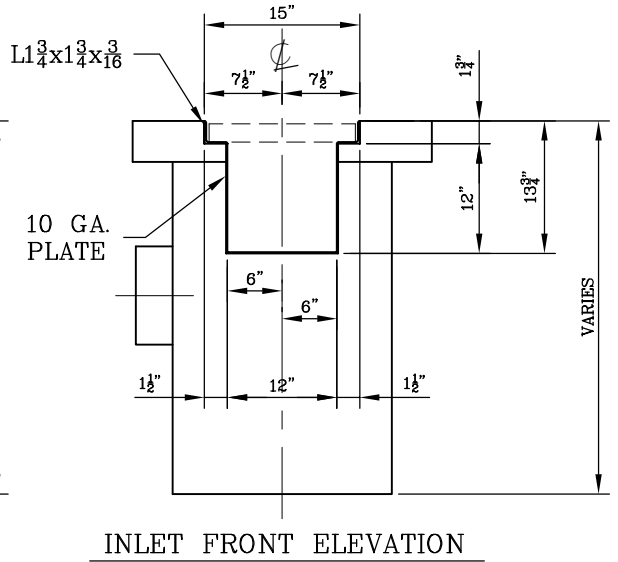
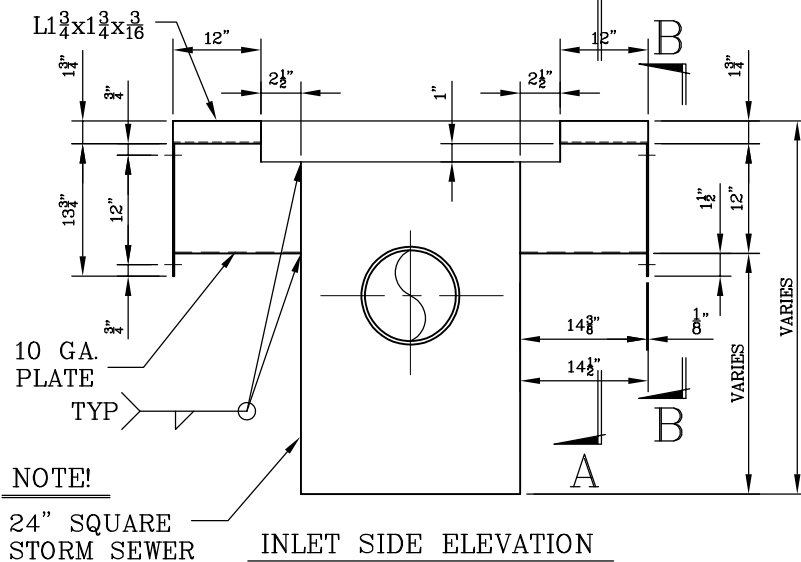
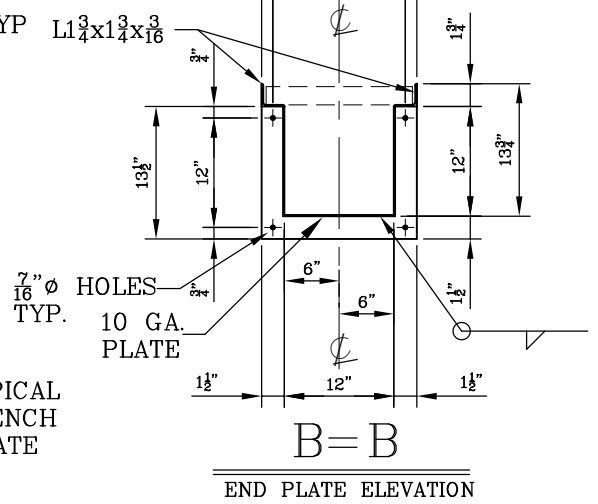
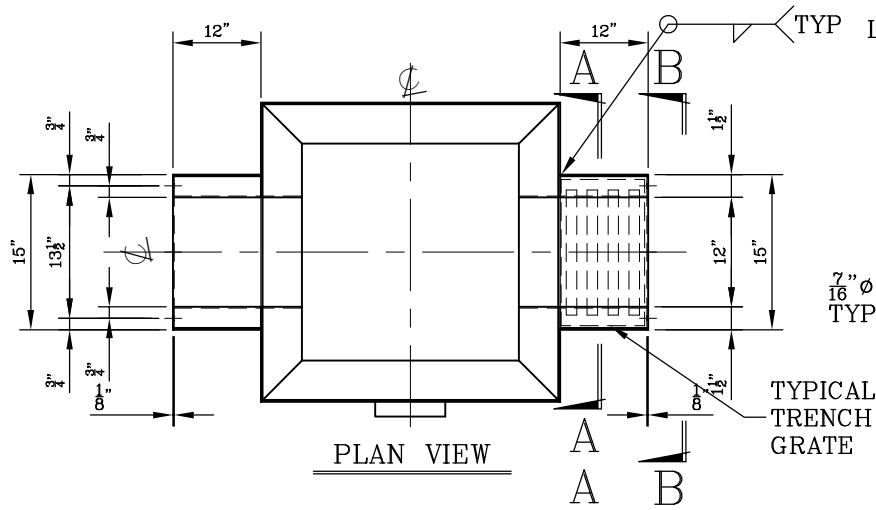
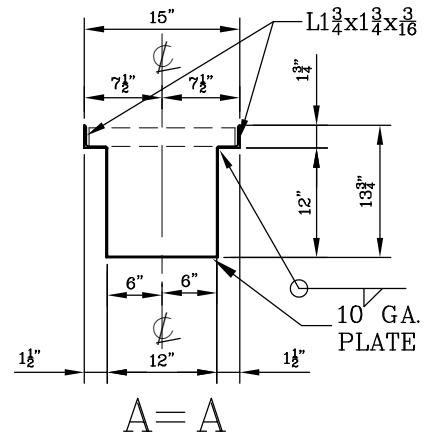


TYPICAL TRENCH INLET GRATE

(1 TOTAL FOR EACH INLET)



TYPICAL TRENCH DRAIN INLET

12" WIDE x 12" DEEP INLET

TRENCH DRAIN INLET (STORM SEWER CATCH BASIN)

MODEL: GTDB-1212D

DATE: 11/19/2020

SCALE: NONE

DWG #
TDB
12D

Gibson Steel Basins, Inc.

1040 Arrowsmith St. Eugene Or. 97402
(541) 484-7200 or (800) 574-8096

Visit us at: www.gibsonsteelbasins.com
Email us at: sales@gibsonsteelbasins.com

EST. 1996

CCB 150089