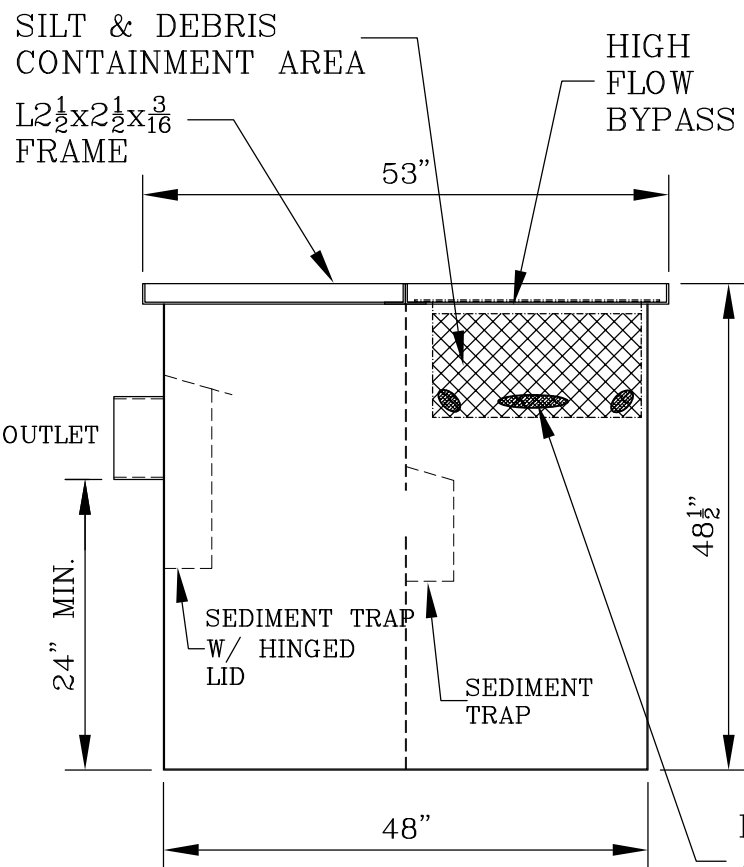
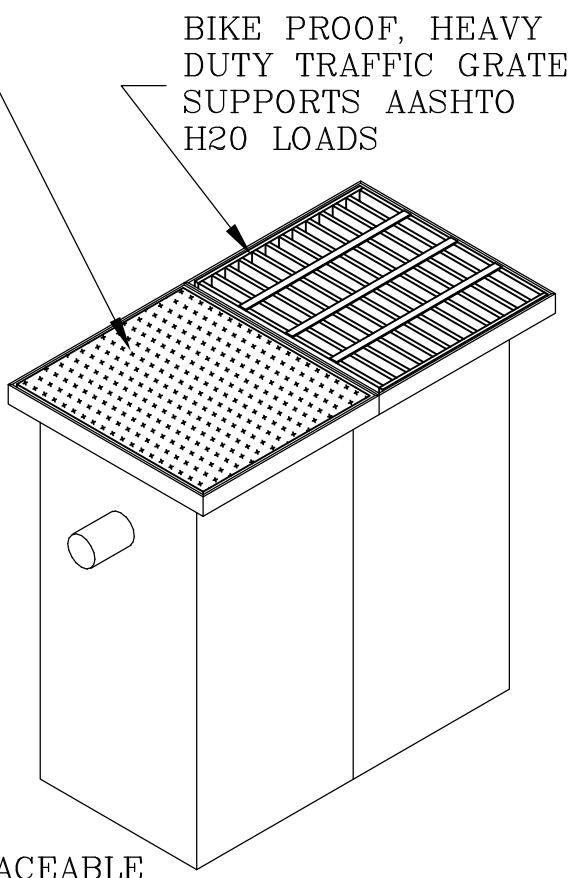


**NOTES:**  
 BOX FABRICATED FROM  
 10 GA. MATERIAL  
 NEOPRENE GASKET  
 (TWO SIDES)

PLAN VIEW



SIDE VIEW



ISOMETRIC

SEDIMENT & HYDROCARBONS FILTRATION SYSTEM  
 STATE APPROVED – ASPHALT DIPPED

24"x48" – 12"Ø OUTLET		DWG # <b>F8</b>
SAND COLLECTOR CATCH BASIN		
MODEL: SCBF10-48HB-12		
DATE: 11/19/2020	SCALE: NONE	

**Gibson Steel Basins, Inc.**

1040 Arrowsmith St. Eugene Or. 97402  
 (541) 484-7200 or (800) 574-8096

Visit us at: [www.gibsonsteelbasins.com](http://www.gibsonsteelbasins.com)  
 Email us at: [sales@gibsonsteelbasins.com](mailto:sales@gibsonsteelbasins.com)

EST. 1996

CCB 150089