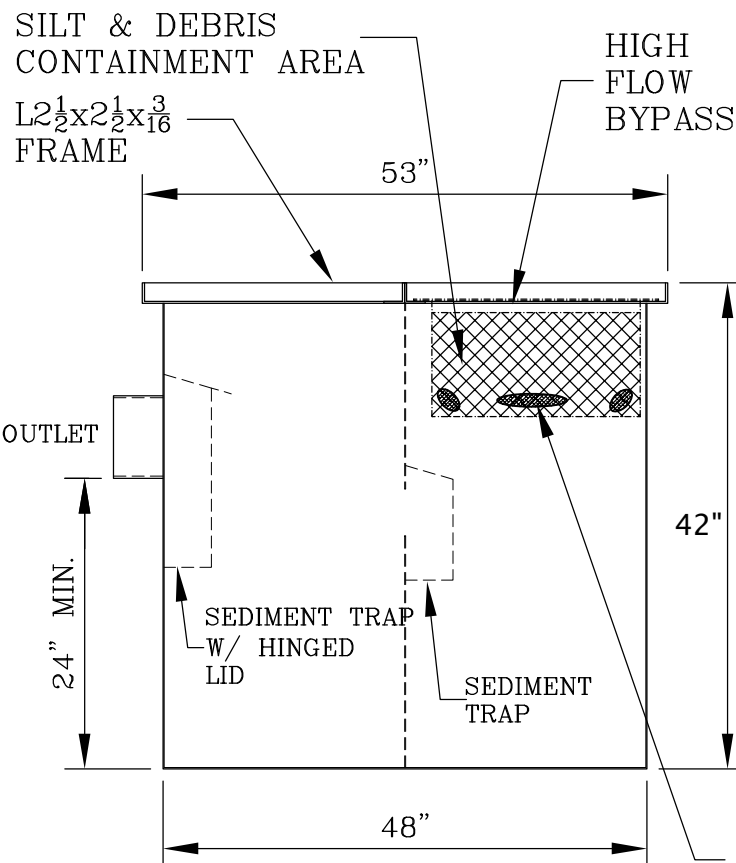
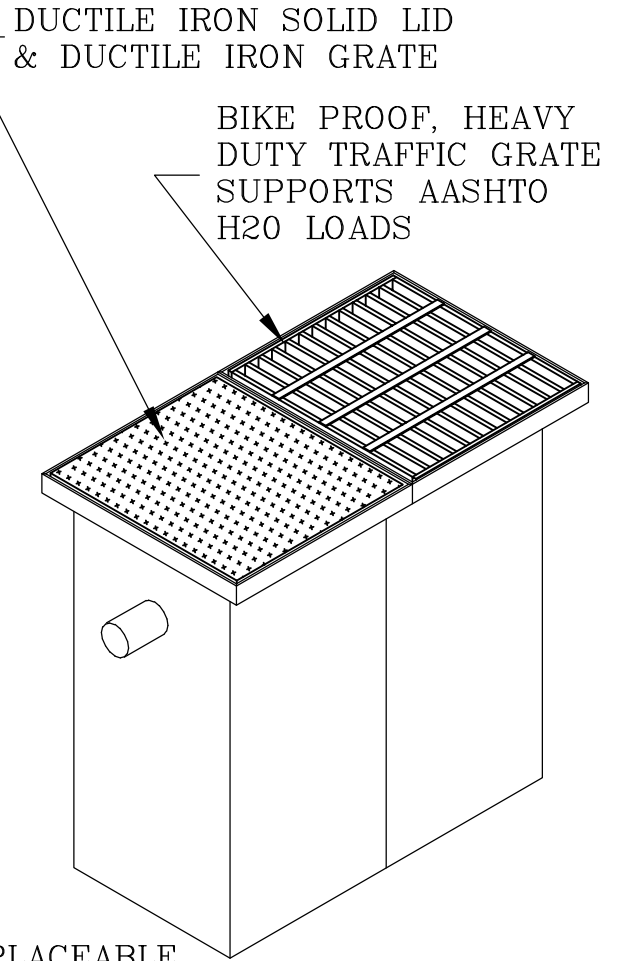


PLAN VIEW

**NOTES:**  
 BOX FABRICATED FROM  
 10 GA. MATERIAL  
 NEOPRENE GASKET  
 (TWO SIDES)



SIDE VIEW



ISOMETRIC

SEDIMENT & HYDROCARBONS FILTRATION SYSTEM  
 STATE APPROVED – ASPHALT DIPPED

24"x42" - 6"Ø OUTLET

SAND COLLECTOR CATCH BASIN

MODEL: SCBF10-42HB-6

DATE: 11/19/2020

SCALE: NONE

DWG #

**F5**

**Gibson Steel Basins, Inc.**

1040 Arrowsmith St. Eugene Or. 97402  
 (541) 484-7200 or (800) 574-8096

Visit us at: [www.gibsonsteelbasins.com](http://www.gibsonsteelbasins.com)

Email us at: [sales@gibsonsteelbasins.com](mailto:sales@gibsonsteelbasins.com)

EST. 1996

CCB 150089