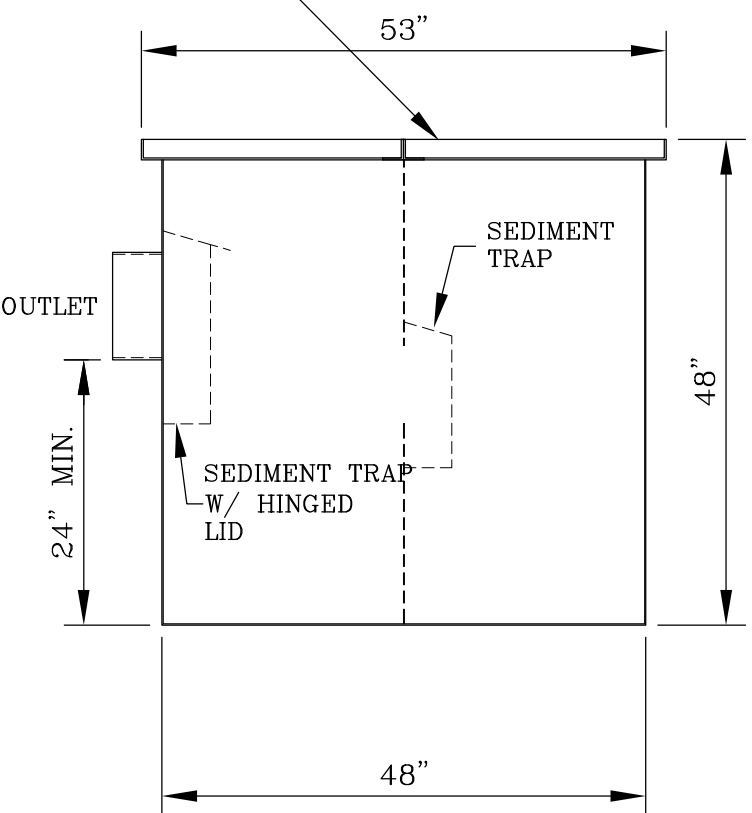


PLAN VIEW

L2½x2½x⅜
FRAME



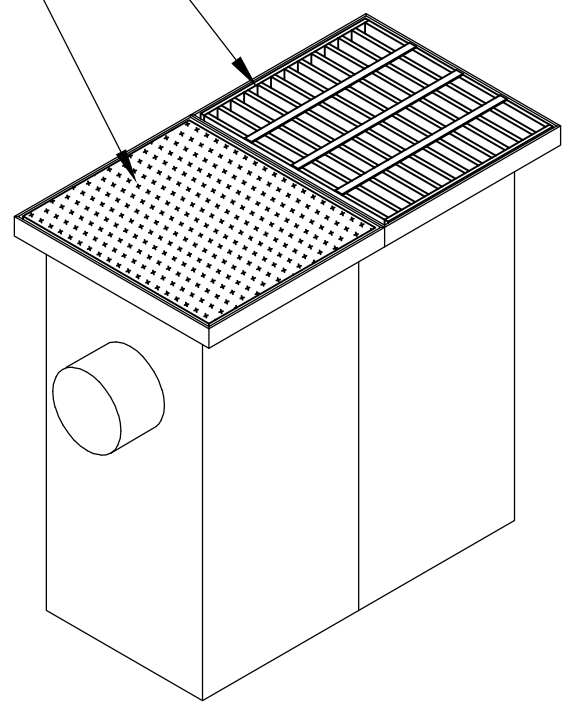
SIDE VIEW

NOTES:

BOX FABRICATED FROM
10 GA. MATERIAL

DUCTILE IRON SOLID LID
& DUCTILE IRON GRATE

BIKE PROOF, HEAVY
DUTY TRAFFIC GRATE
SUPPORTS AASHTO
H20 LOADS



ISOMETRIC

STATE APPROVED — ASPHALT DIPPED

24"x48" - 10"Ø OUTLET

SAND COLLECTOR CATCH BASIN

MODEL: SCB10-48HB-10

DATE: 11/19/2020

SCALE: NONE

DWG #

D4

Gibson Steel Basins, Inc.

1040 Arrowsmith St. Eugene Or. 97402
(541) 484-7200 or (800) 574-8096

Visit us at: www.gibsonsteelbasins.com

Email us at: sales@gibsonsteelbasins.com

EST. 1996

CCB 150089