

PLAN VIEW

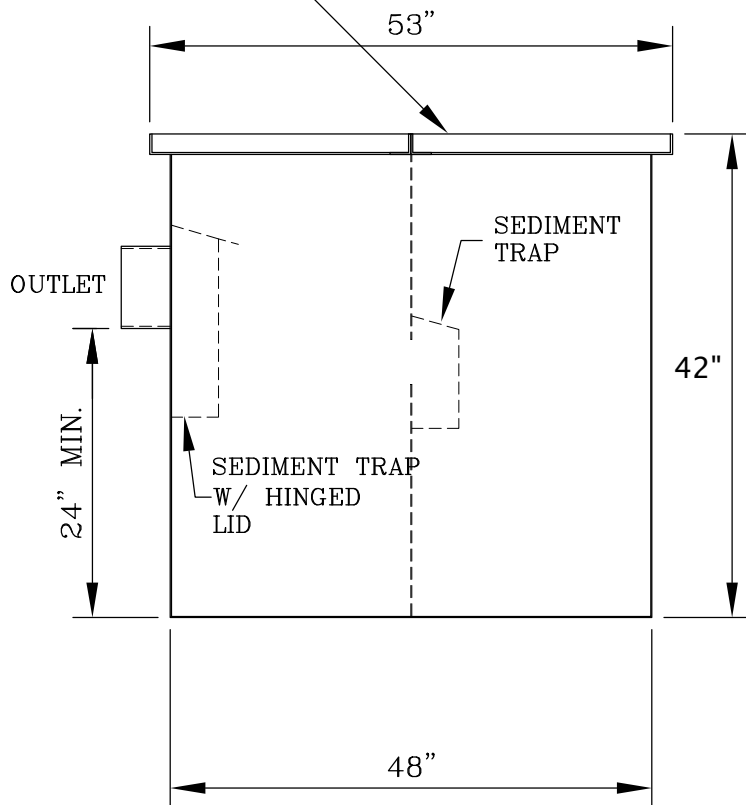
NOTES:

BOX FABRICATED FROM
10 GA. MATERIAL

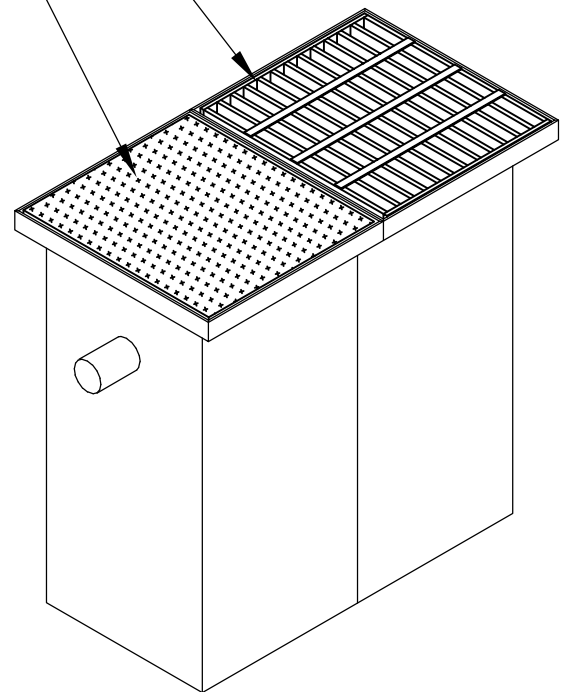
DUCTILE IRON SOLID LID
& DUCTILE IRON GRATE

BIKE PROOF, HEAVY
DUTY TRAFFIC GRATE
SUPPORTS AASHTO
H20 LOADS

L2 $\frac{1}{2}$ x2 $\frac{1}{2}$ x $\frac{3}{16}$
FRAME



SIDE VIEW



ISOMETRIC

STATE APPROVED — ASPHALT DIPPED

24"x42" - 4"Ø OUTLET

SAND COLLECTOR CATCH BASIN

MODEL: SCB10-42HB-4

DATE: 11/19/2020

SCALE: NONE

DWG #

D1

Gibson Steel Basins, Inc.

1040 Arrowsmith St. Eugene Or. 97402
(541) 484-7200 or (800) 574-8096

Visit us at: www.gibsonsteelbasins.com

Email us at: sales@gibsonsteelbasins.com

EST. 1996

CCB 150089