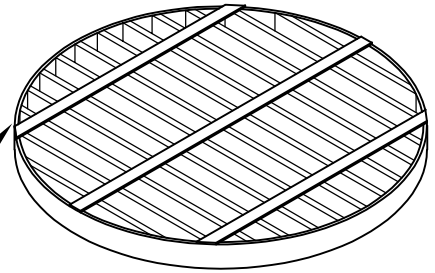


PLAN VIEW

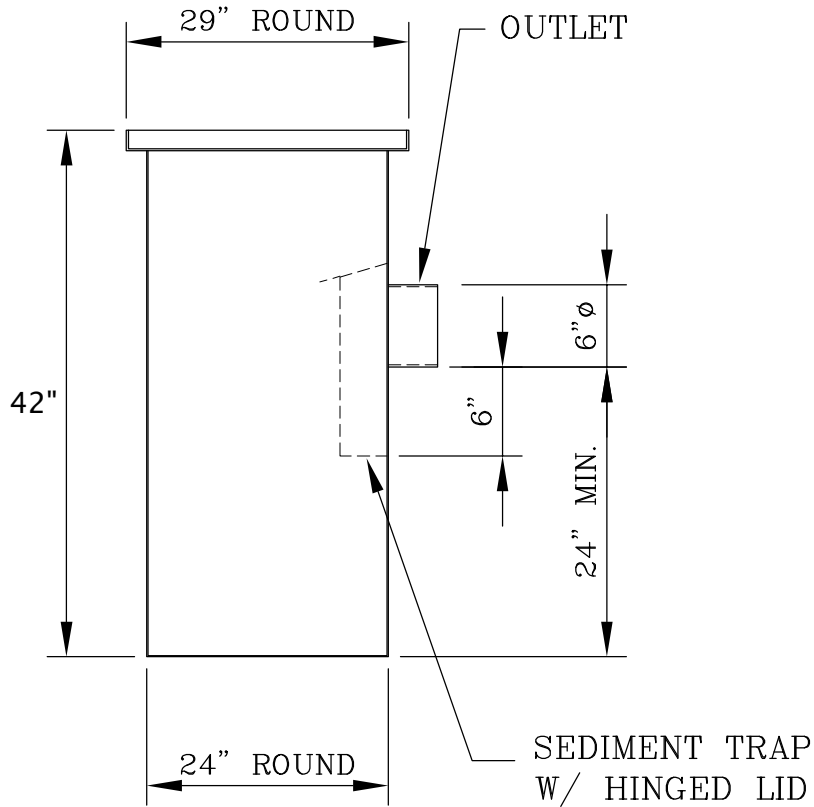
BIKE PROOF, HEAVY  
DUTY TRAFFIC GRATE  
SUPPORTS AASHTO  
H20 LOADS



GRATING

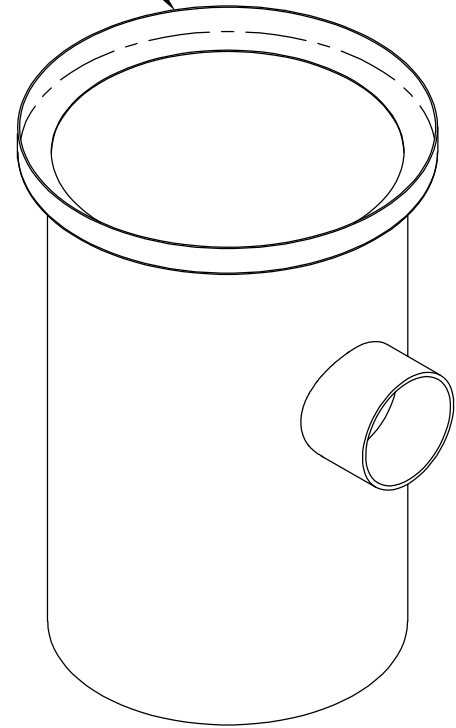
NOTES:

BOX FABRICATED FROM  
10 GA. MILD STEEL



SIDE VIEW

L2x2x $\frac{1}{4}$   
(CURVED)  
FRAME



ISOMETRIC

STATE APPROVED — ASPHALT DIPPED

24" ROUND — 4"  $\phi$  — 6"  $\phi$  — 8"  $\phi$  OUTLET

ROUND STORM WATER CATCH BASIN

MODEL: RCB24-42HB-4&6&8

DATE: 11/19/2020

SCALE: NONE

DWG #

**R4**

**Gibson Steel Basins, Inc.**

1040 Arrowsmith St. Eugene Or. 97402  
(541) 484-7200 or (800) 574-8096

Visit us at: [www.gibsonsteelbasins.com](http://www.gibsonsteelbasins.com)

Email us at: [sales@gibsonsteelbasins.com](mailto:sales@gibsonsteelbasins.com)

EST. 1996

CCB 150089