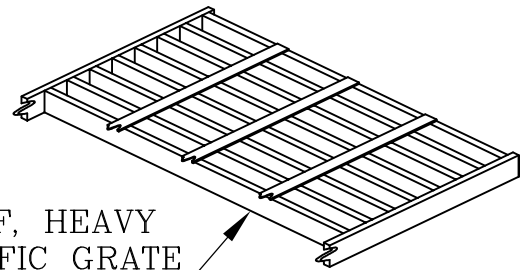


PLAN VIEW

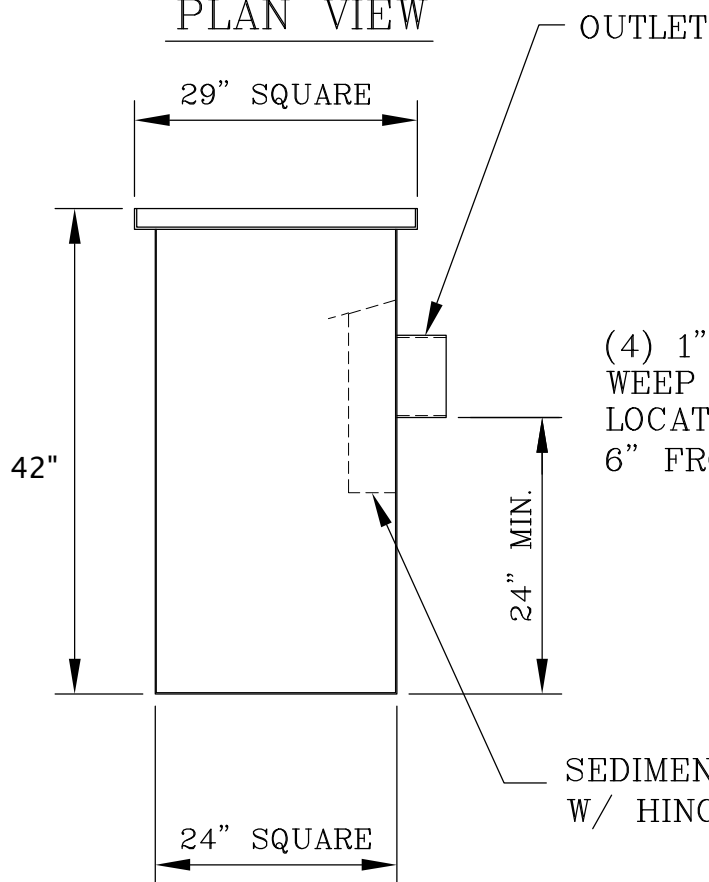


BIKE PROOF, HEAVY
DUTY TRAFFIC GRATE
SUPPORTS AASHTO
H20 LOADS

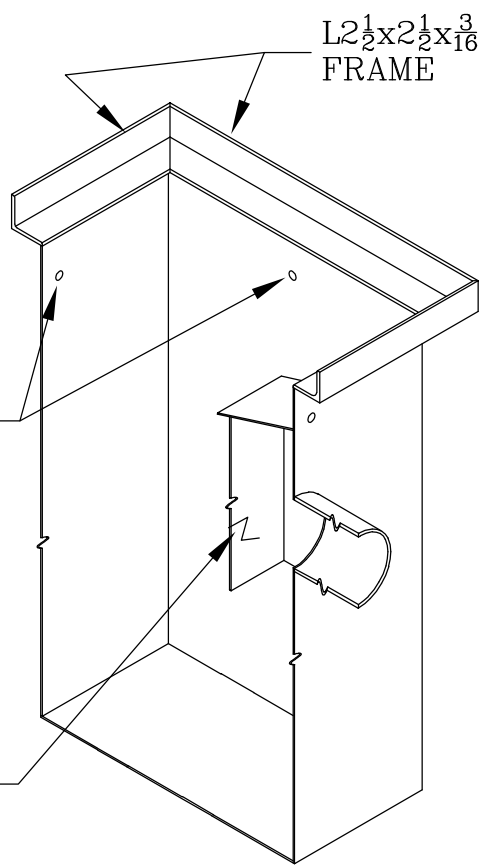
GRATING

NOTES:

BOX FABRICATED FROM
10 GA. MATERIAL



SIDE VIEW



ISOMETRIC SECTION

STATE APPROVED — ASPHALT DIPPED

24" SQUARE — 4"Ø OR 6"Ø OR 8"Ø OUTLET

STORM WATER CATCH BASIN

MODEL: MPCB10-42HB-4&6&8 4WH

DATE: 11/19/2020

SCALE: NONE

DWG #

T2

Gibson Steel Basins, Inc.

1040 Arrowsmith St. Eugene Or. 97402
(541) 484-7200 or (800) 574-8096

Visit us at: www.gibsonsteelbasins.com
Email us at: sales@gibsonsteelbasins.com

EST. 1996

CCB 150089