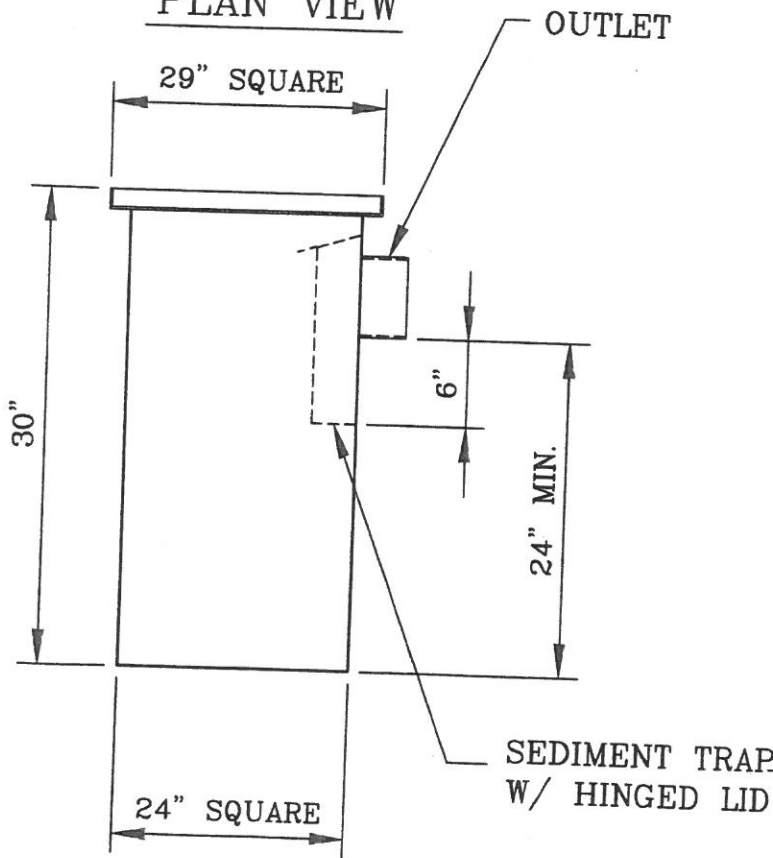
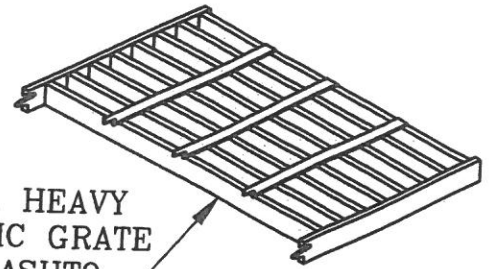


PLAN VIEW



SIDE VIEW

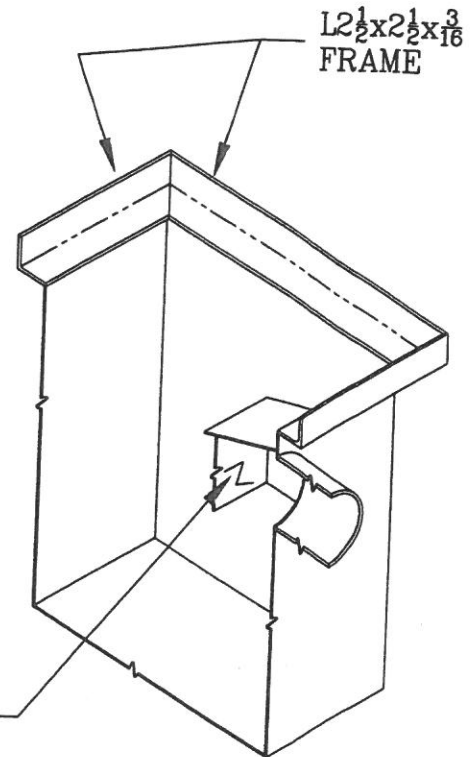


BIKE PROOF, HEAVY
DUTY TRAFFIC GRATE
SUPPORTS AASHTO
H20 LOADS

GRATING

NOTES:

BOX FABRICATED FROM
10 GA. MATERIAL



ISOMETRIC SECTION

STATE APPROVED - ASPHALT DIPPED

24" SQUARE - 4"Ø OR 6"Ø OUTLET

STORM WATER CATCH BASIN

MODEL: GCB10-30HB-4&6

DATE: 11/19/2020

SCALE: NONE

DWG #
S1

Gibson Steel Basins, Inc.

1040 Arrowsmith St. Eugene Or. 97402
(541) 484-7200 or (800) 574-8096

Visit us at: www.gibsonsteelbasins.com
Email us at: sales@gibsonsteelbasins.com

EST. 1996

CCB 150089