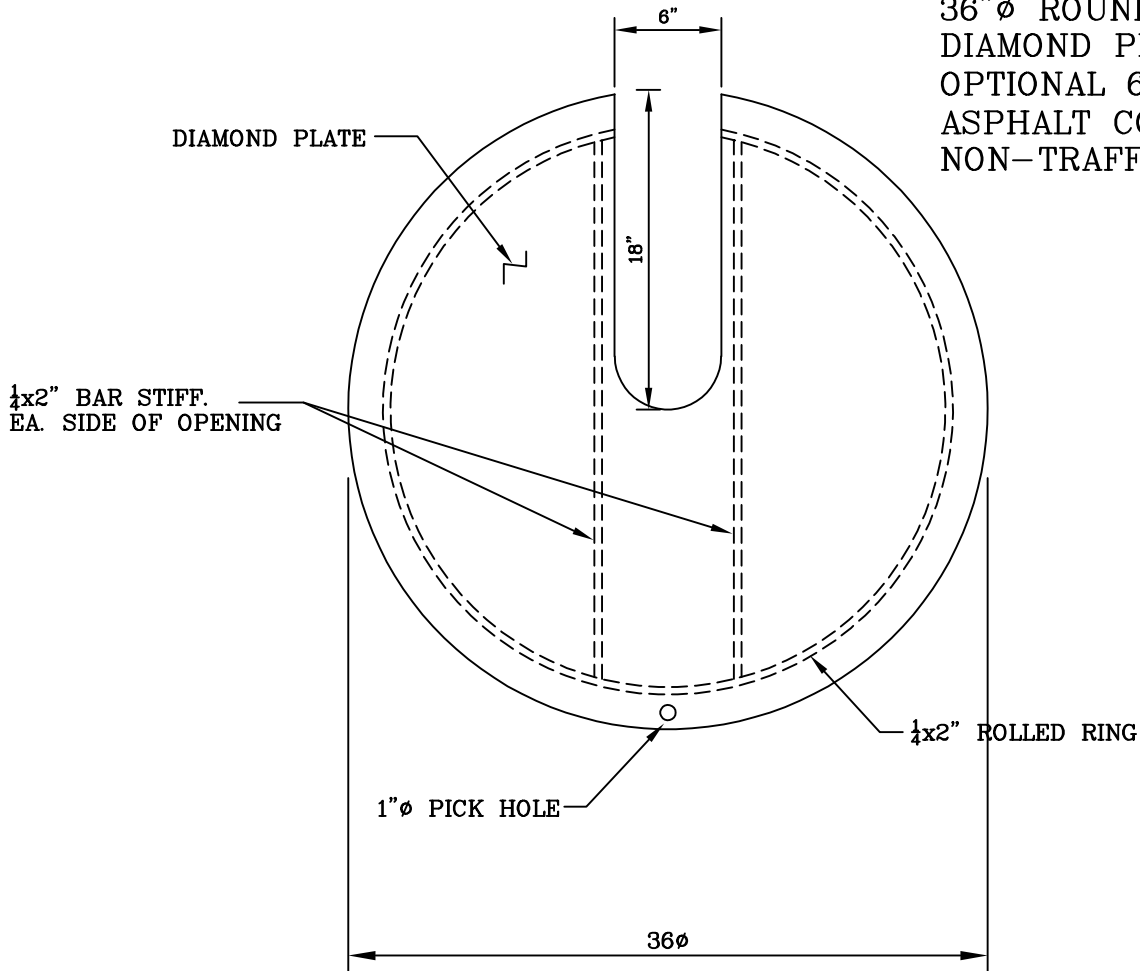
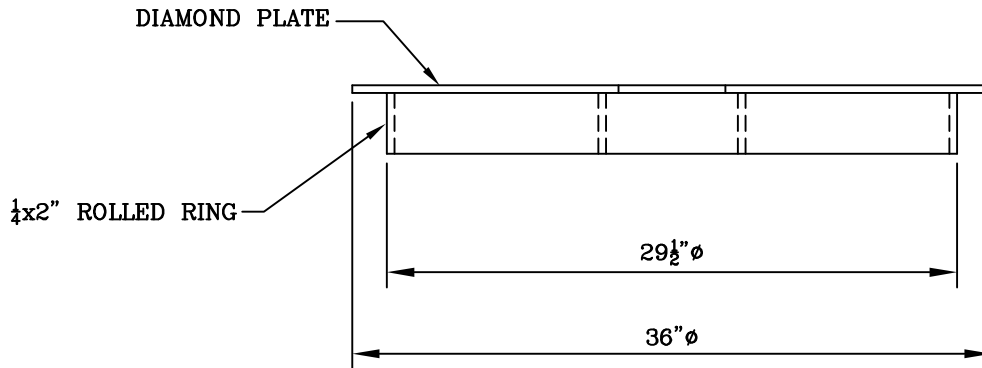


**NOTES:**

36"  $\phi$  ROUND  $\frac{1}{8}$ " THK.  
 DIAMOND PLATE –  
 OPTIONAL 6"x18" OPENING  
 ASPHALT COATED  
 NON-TRAFFIC RATED



PLAN VIEW



ELEVATION

30"  $\phi$  CUSTOM COVER

ADS / HANCOR PIPE

MODEL: GSB-ADSC-36

DATE: 11/19/2020

SCALE: NONE

DWG #

**CC1**

**Gibson Steel Basins, Inc.**

1040 Arrowsmith St. Eugene Or. 97402  
 (541) 484-7200 or (800) 574-8096

Visit us at: [www.gibsonsteelbasins.com](http://www.gibsonsteelbasins.com)

Email us at: [sales@gibsonsteelbasins.com](mailto:sales@gibsonsteelbasins.com)

EST. 1996

CCB 150089