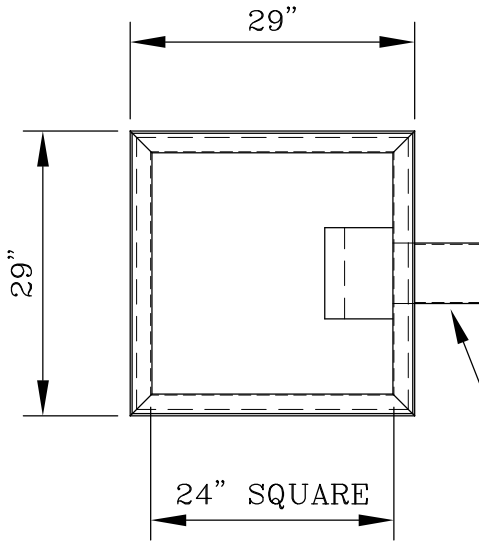


BIKE PROOF, HEAVY  
DUTY TRAFFIC GRATE  
SUPPORTS AASHTO  
H20 LOADS

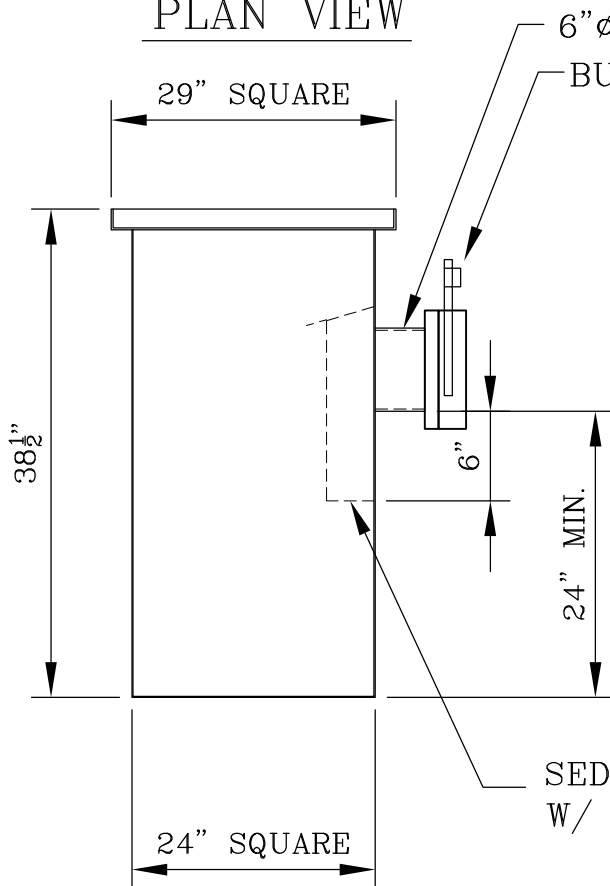
GRATING



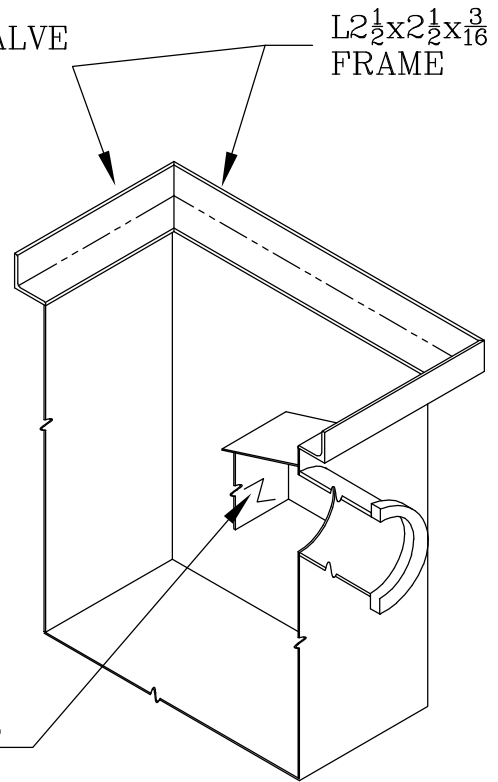
PLAN VIEW

NOTES:

BOX FABRICATED FROM  
10 GA. MATERIAL



SIDE VIEW



ISOMETRIC SECTION

STATE APPROVED — ASPHALT DIPPED

24" SQUARE — 6"Ø OUTLET		DWG # <b>SBV</b>
STORM WATER CATCH BASIN — BUTTERFLY VALVE		
MODEL: GCB10-36HB-6-BV		
DATE: 11/19/2020	SCALE: NONE	

**Gibson Steel Basins, Inc.**

1040 Arrowsmith St. Eugene Or. 97402  
(541) 484-7200 or (800) 574-8096

Visit us at: [www.gibsonsteelbasins.com](http://www.gibsonsteelbasins.com)

Email us at: [sales@gibsonsteelbasins.com](mailto:sales@gibsonsteelbasins.com)

EST. 1996

CCB 150089