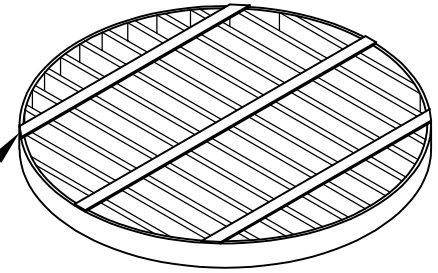


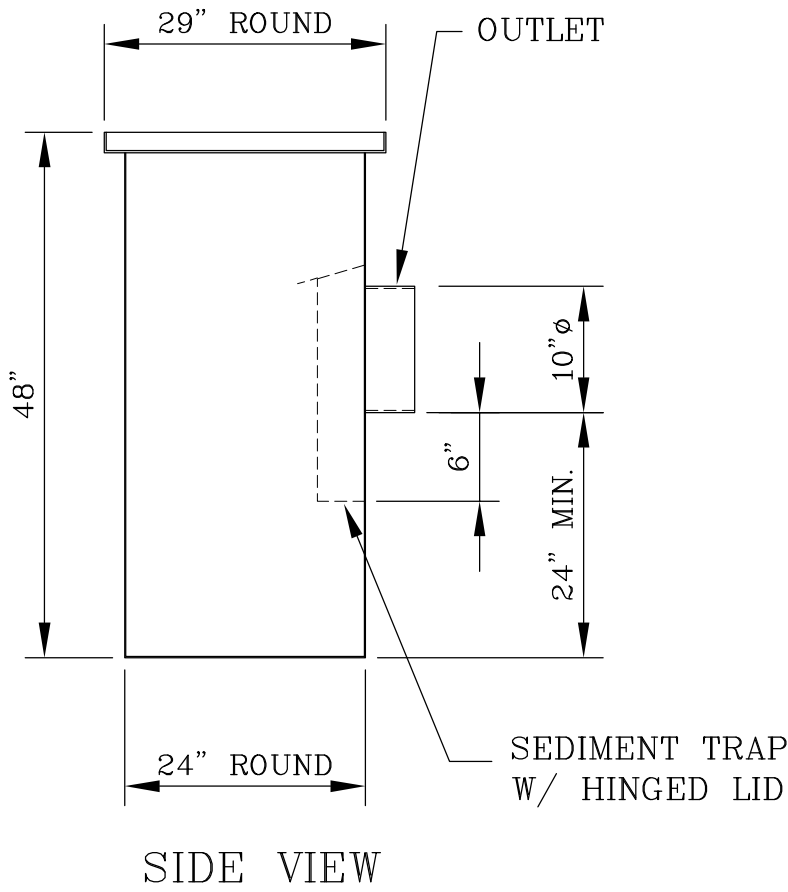
BIKE PROOF, HEAVY
DUTY TRAFFIC GRATE
SUPPORTS AASHTO
H20 LOADS



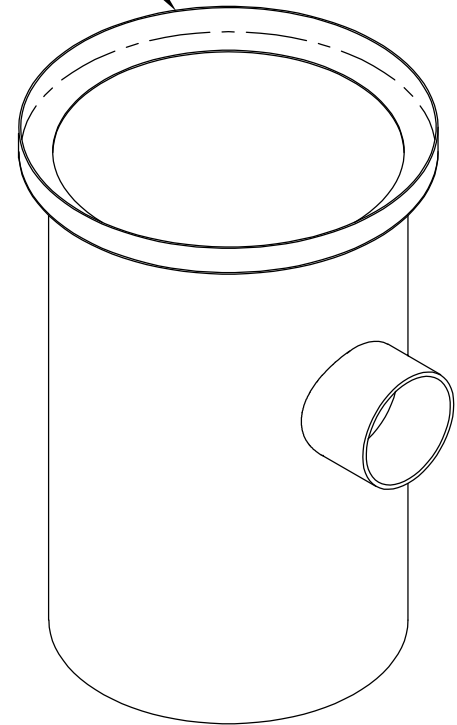
GRATING

NOTES:

BOX FABRICATED FROM
10 GA. MILD STEEL



L2x2x $\frac{1}{4}$
(CURVED)
FRAME



ISOMETRIC

STATE APPROVED — ASPHALT DIPPED

12" ROUND — 10" ϕ OUTLET

ROUND STORM WATER CATCH BASIN

MODEL: RCB24-48HB-10

DATE: 11/19/2020

SCALE: NONE

DWG #

R5

Gibson Steel Basins, Inc.

1040 Arrowsmith St. Eugene Or. 97402
(541) 484-7200 or (800) 574-8096

Visit us at: www.gibsonsteelbasins.com
Email us at: sales@gibsonsteelbasins.com

EST. 1996

CCB 150089