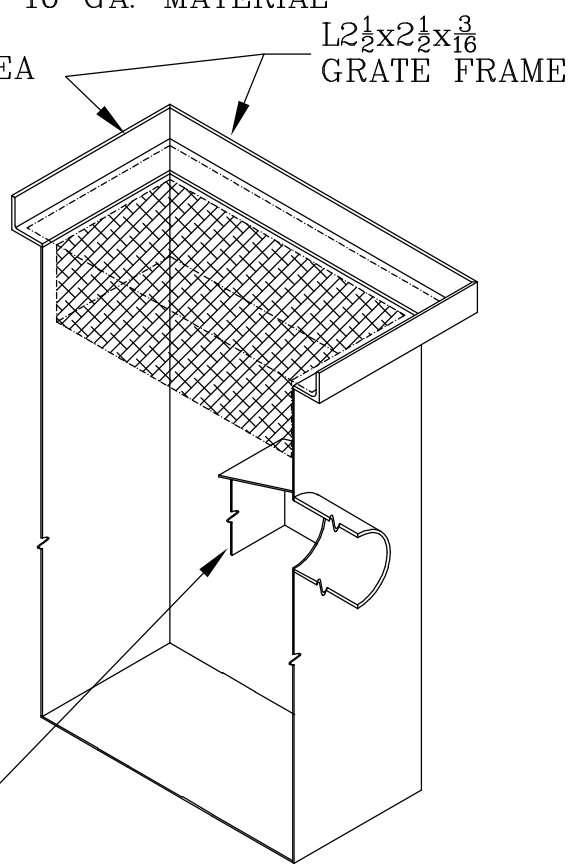
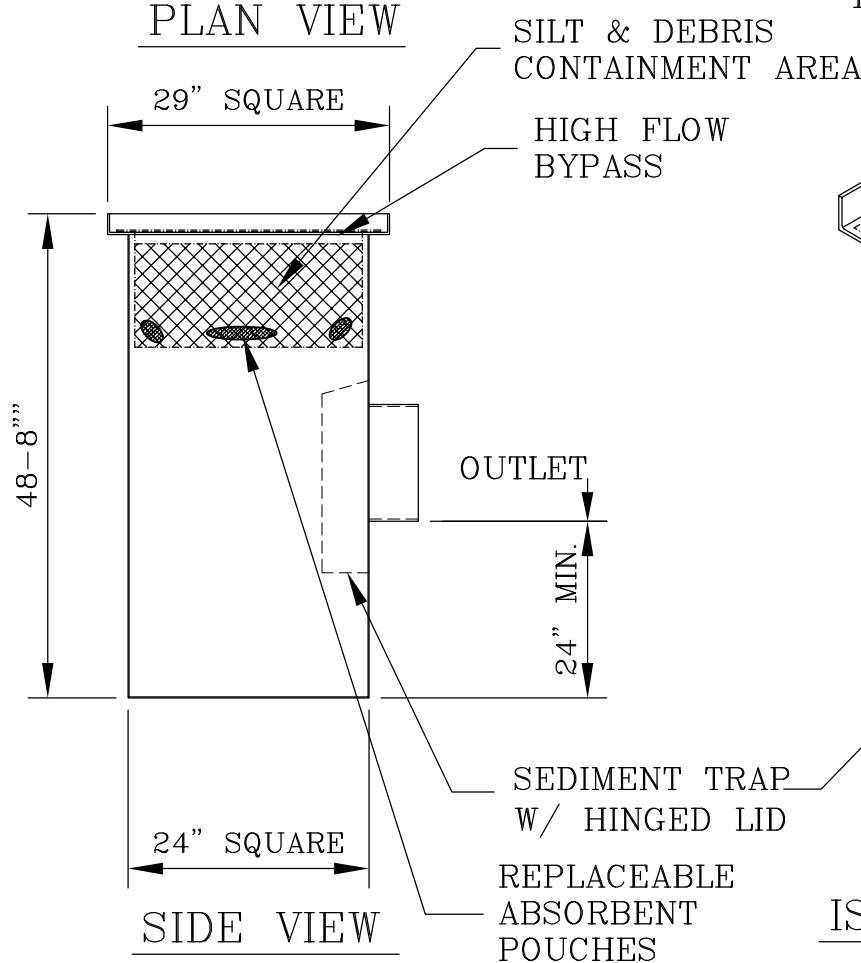


NOTES:

BOX FABRICATED FROM
10 GA. MATERIAL



SEDIMENT & HYDROCARBONS FILTRATION SYSTEM
STATE APPROVED — ASPHALT DIPPED

24" SQUARE - 10"Ø OUTLET		DWG # F9
STORM WATER CATCH BASIN		
MODEL: MPCBF10-56HB-10		
DATE: 11/19/2020	SCALE: NONE	

Gibson Steel Basins, Inc.
 1040 Arrowsmith St. Eugene Or. 97402
 (541) 484-7200 or (800) 574-8096
 Visit us at: www.gibsonsteelbasins.com
 Email us at: sales@gibsonsteelbasins.com

EST. 1996

CCB 150089