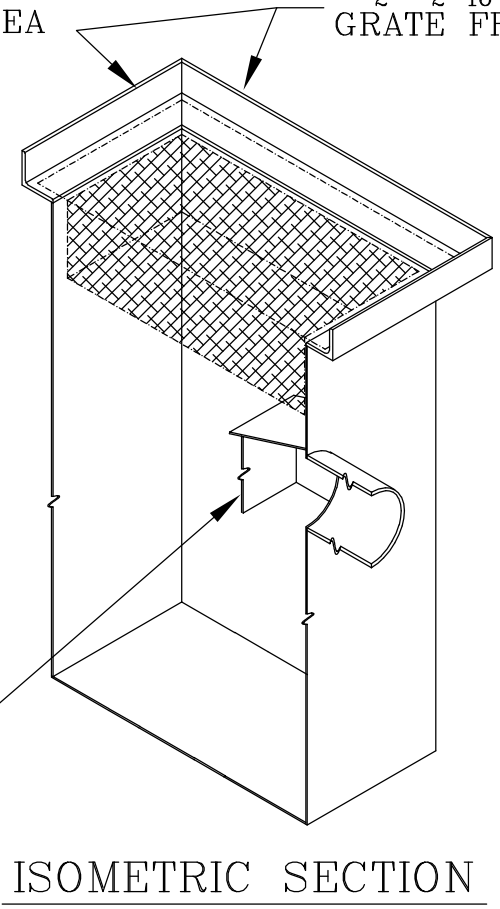
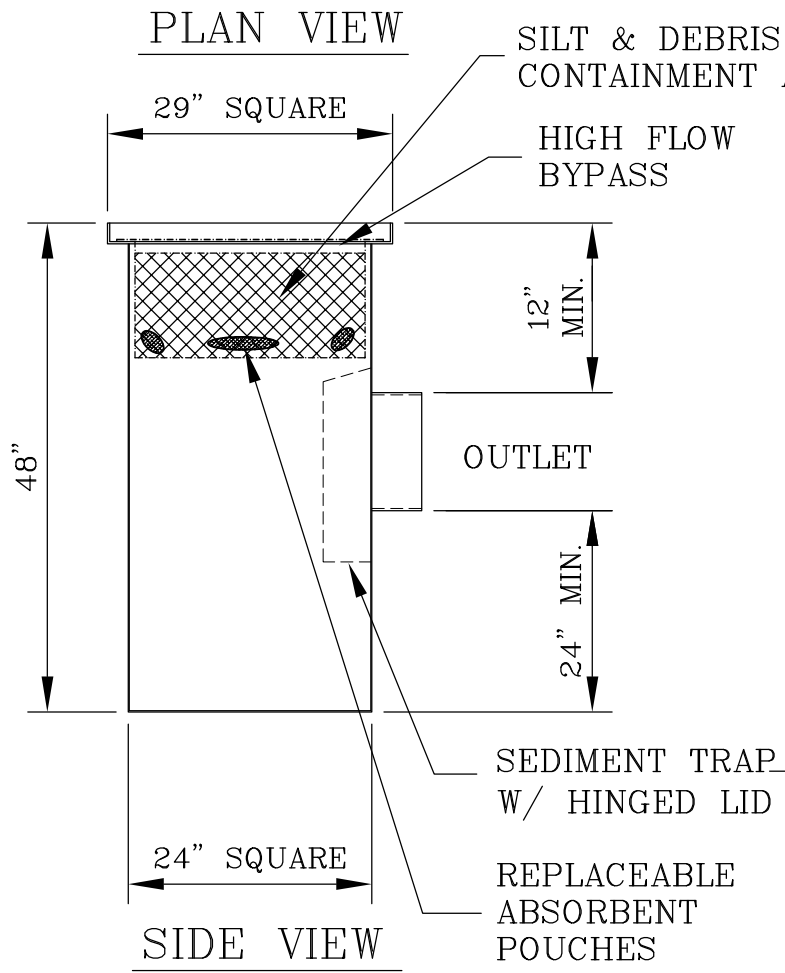


NOTES:
BOX FABRICATED FROM
10 GA. MATERIAL

L2 $\frac{1}{2}$ x2 $\frac{1}{2}$ x $\frac{3}{16}$
GRATE FRAME



SEDIMENT & HYDROCARBONS FILTRATION SYSTEM
STATE APPROVED - ASPHALT DIPPED

24" SQUARE - 12"Ø OUTLET		DWG # F3
STORM WATER CATCH BASIN		
MODEL: MPCBF10-48HB-12		
DATE: 11/19/2020	SCALE: NONE	

Gibson Steel Basins, Inc.
1040 Arrowsmith St. Eugene Or. 97402
(541) 484-7200 or (800) 574-8096
Visit us at: www.gibsonsteelbasins.com
Email us at: sales@gibsonsteelbasins.com

EST. 1996

CCB 150089