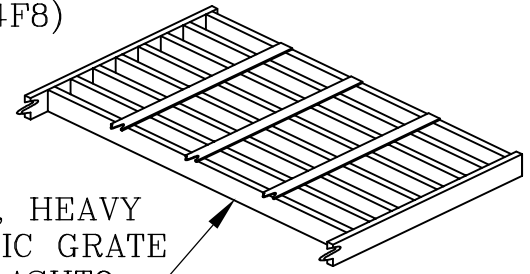


PLAN VIEW

FLOGARD™
 FILTER INSERT
 (MODEL FGP-24F8)

WOVEN MESH
 FILTER BODY



GRATING

BIKE PROOF, HEAVY
 DUTY TRAFFIC GRATE
 SUPPORTS AASHTO
 H20 LOADS

NEOPRENE GASKET
 (TWO SIDES)

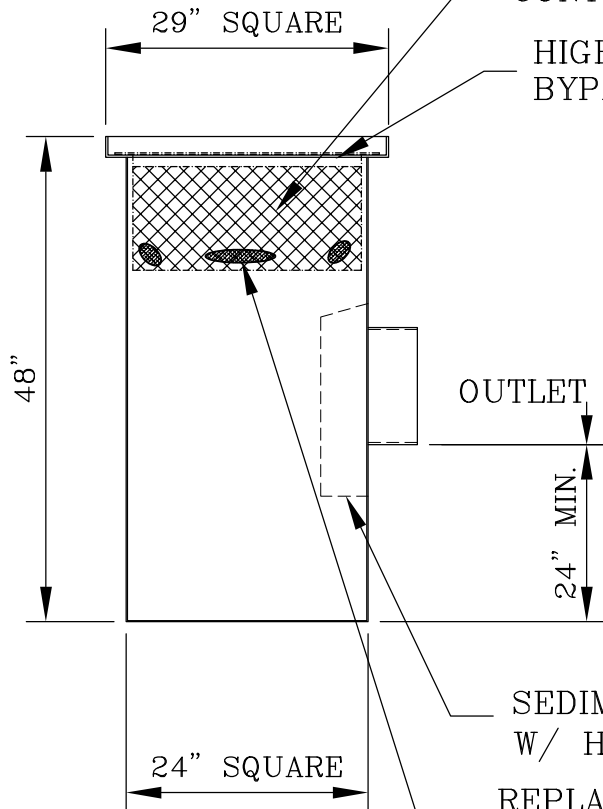
NOTES:

BOX FABRICATED FROM
 10 GA. MATERIAL

L2½x2½x⅜
 GRATE FRAME

SILT & DEBRIS
 CONTAINMENT AREA

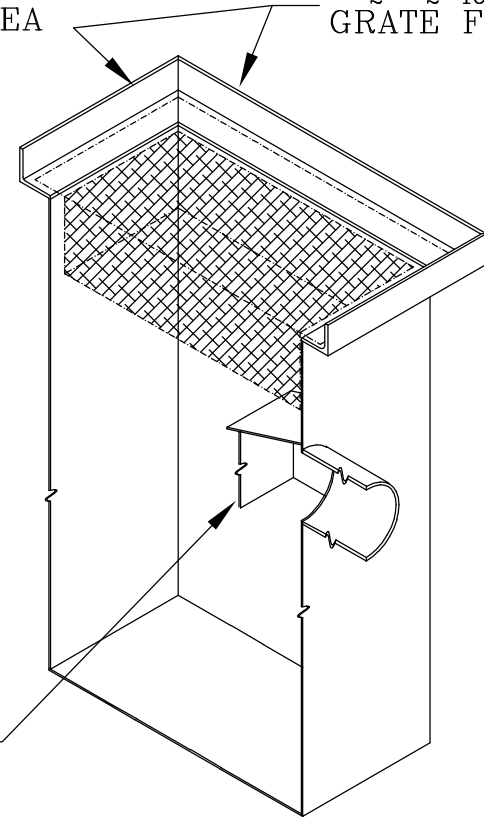
HIGH FLOW
 BYPASS



SIDE VIEW

SEDIMENT TRAP
 W/ HINGED LID

REPLACEABLE
 ABSORBENT
 POUCHES



ISOMETRIC SECTION

SEDIMENT & HYDROCARBONS FILTRATION SYSTEM
 STATE APPROVED – ASPHALT DIPPED

24" SQUARE – 10"Ø OUTLET

STORM WATER CATCH BASIN

MODEL: MPCBF10-48HB-10

DWG #

F2

DATE: 11/19/2020

SCALE: NONE

Gibson Steel Basins, Inc.

1040 Arrowsmith St. Eugene Or. 97402
 (541) 484-7200 or (800) 574-8096

Visit us at: www.gibsonsteelbasins.com

Email us at: sales@gibsonsteelbasins.com

EST. 1996

CCB 150089