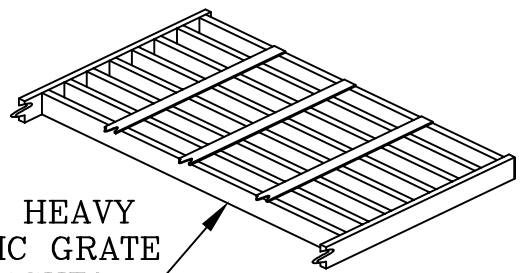


PLAN VIEW

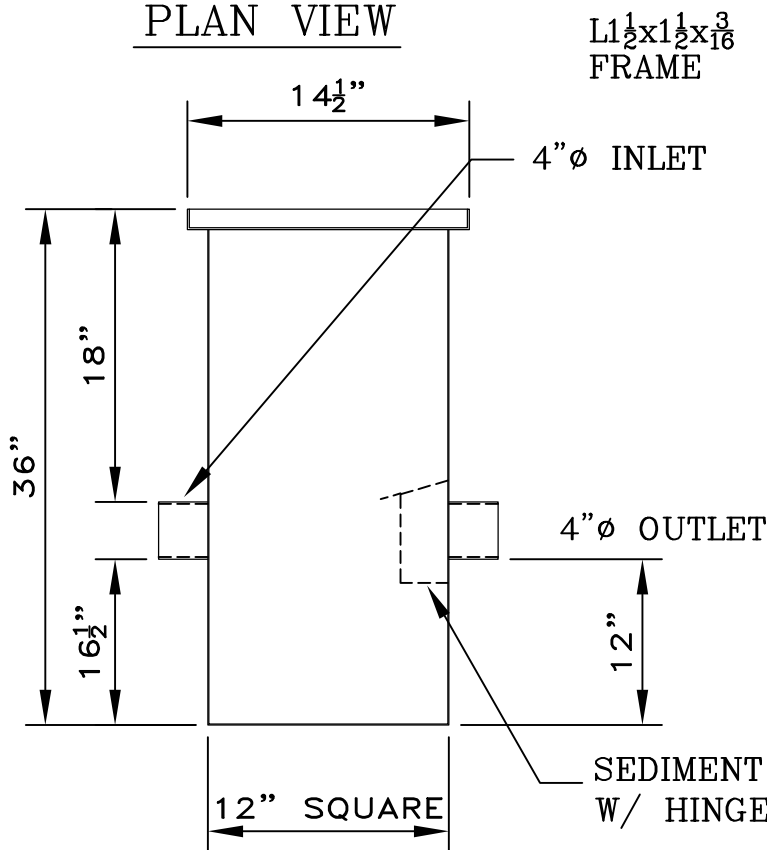


BIKE PROOF, HEAVY
DUTY TRAFFIC GRATE
SUPPORTS AASHTO
H2O LOADS

GRATING

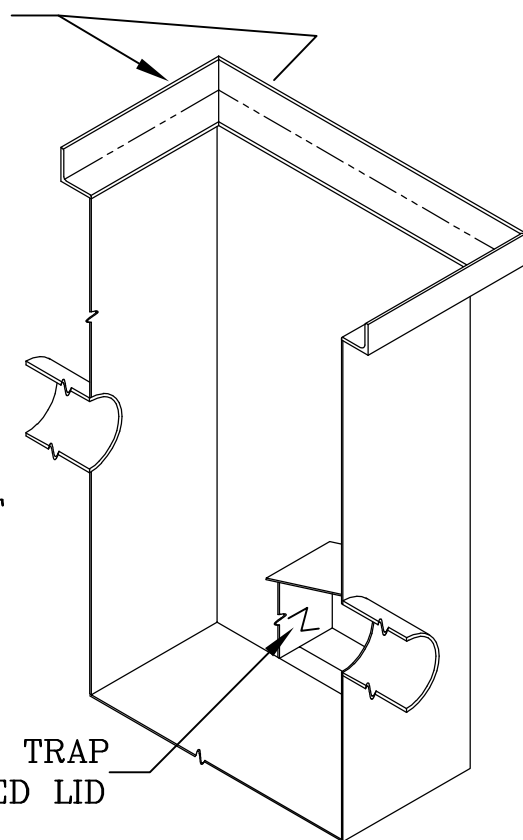
NOTES:

BOX FABRICATED FROM
10 GA. MATERIAL



SIDE VIEW

L1 1/2 x 1 1/2 x 3/16
FRAME



ISOMETRIC SECTION

STATE APPROVED — ASPHALT DIPPED

12" SQUARE — 4"Ø INLET & 4"Ø OUTLET

SILT TRAP BASIN

MODEL: GSTB10-1236HB-4-4

DATE: 11/19/2020

SCALE: NONE

DWG #

L6

Gibson Steel Basins, Inc.

1040 Arrowsmith St. Eugene Or. 97402
(541) 484-7200 or (800) 574-8096

Visit us at: www.gibsonsteelbasins.com

Email us at: sales@gibsonsteelbasins.com

EST. 1996

CCB 150089