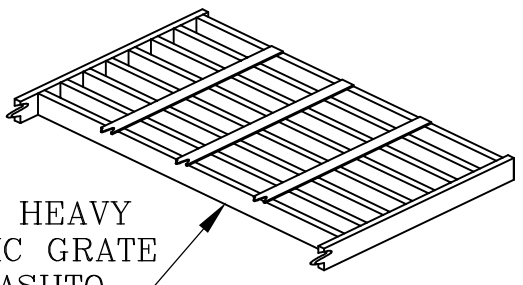


PLAN VIEW



BIKE PROOF, HEAVY  
DUTY TRAFFIC GRATE  
SUPPORTS AASHTO  
H20 LOADS

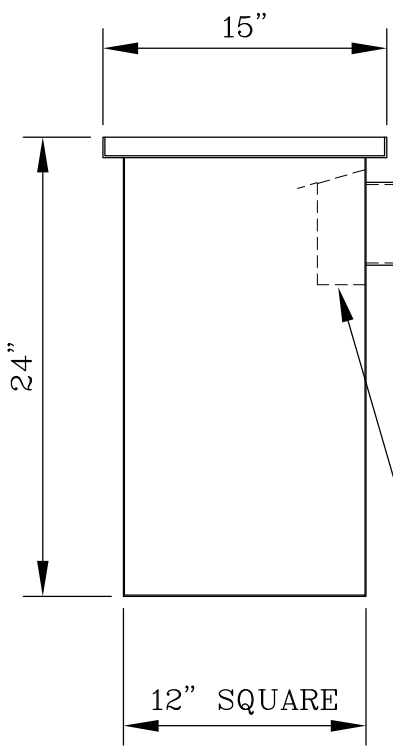
GRATING

NOTES:

BOX FABRICATED FROM  
10 GA. MATERIAL

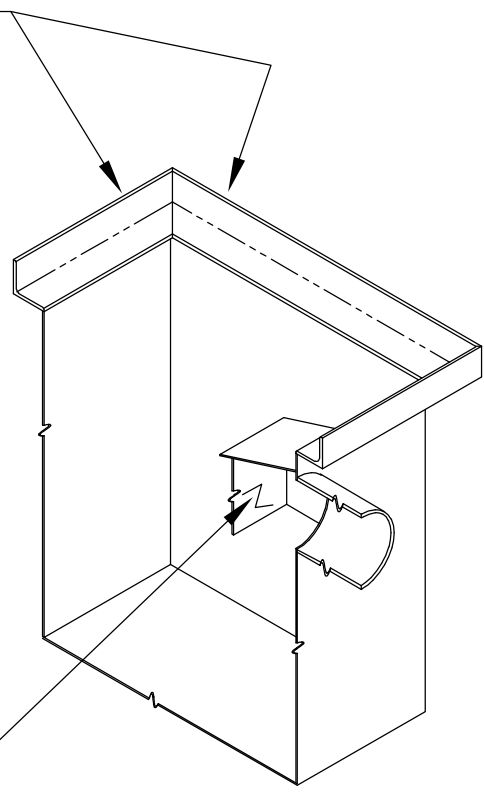
4"Ø OR 6"Ø  
OUTLET

L1<sup>1</sup>/<sub>2</sub>x1<sup>1</sup>/<sub>2</sub>x<sup>3</sup>/<sub>16</sub>  
FRAME



SIDE VIEW

4"Ø OR 6"Ø  
OUTLET



ISOMETRIC SECTION

SEDIMENT TRAP  
W/ HINGED LID

STATE APPROVED — ASPHALT DIPPED

12" SQUARE — 4"Ø OR 6"Ø OUTLET

LANDSCAPING MINI-BASIN

MODEL: GMCB10-1224HB-4&6

DATE: 11/19/2020

SCALE: NONE

DWG #  
**L5**

**Gibson Steel Basins, Inc.**

1040 Arrowsmith St. Eugene Or. 97402  
(541) 484-7200 or (800) 574-8096

Visit us at: [www.gibsonsteelbasins.com](http://www.gibsonsteelbasins.com)  
Email us at: [sales@gibsonsteelbasins.com](mailto:sales@gibsonsteelbasins.com)

EST. 1996

CCB 150089