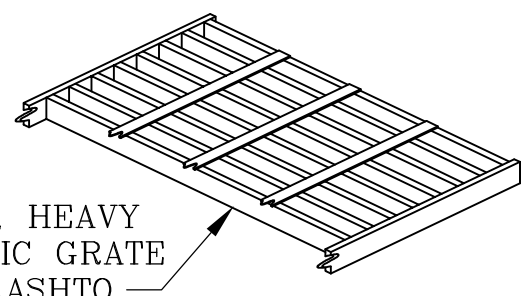


PLAN VIEW



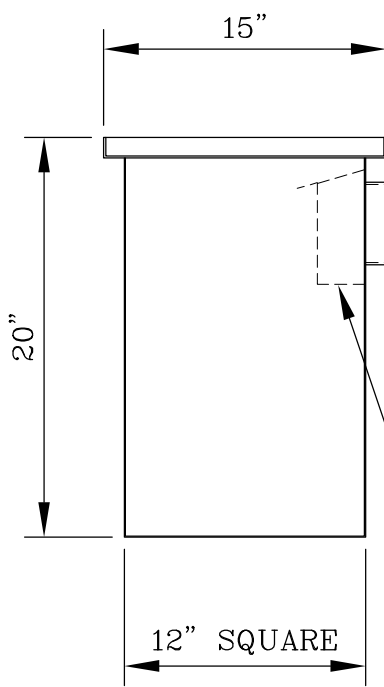
BIKE PROOF, HEAVY
DUTY TRAFFIC GRATE
SUPPORTS AASHTO
H20 LOADS

GRATING

NOTES:

BOX FABRICATED FROM
10 GA. MATERIAL

4"φ OR 6"φ
OUTLET

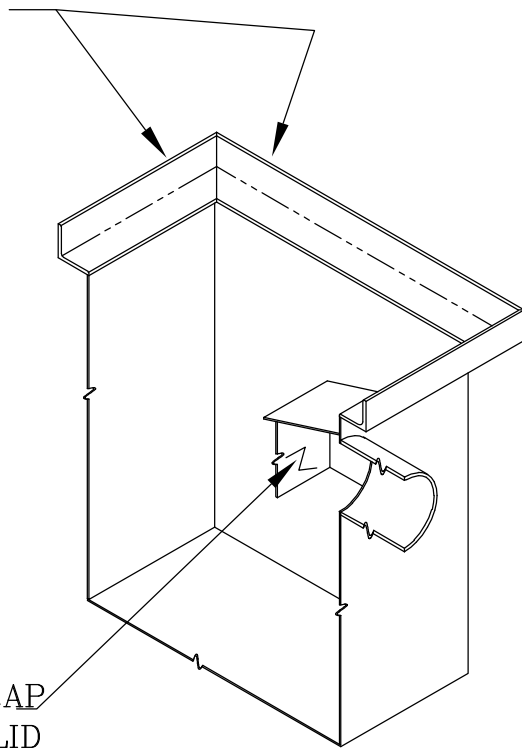


SIDE VIEW

L1½x1½x⅜
FRAME

4"φ OR 6"φ
OUTLET

SEDIMENT TRAP
W/ HINGED LID



ISOMETRIC SECTION

STATE APPROVED — ASPHALT DIPPED

12" SQUARE — 4"φ OR 6"φ OUTLET		DWG # L4
LANDSCAPING MINI-BASIN		
MODEL: GMCB10-1220HB-4&6		
DATE: 11/19/2020	SCALE: NONE	

Gibson Steel Basins, Inc.

1040 Arrowsmith St. Eugene Or. 97402
(541) 484-7200 or (800) 574-8096

Visit us at: www.gibsonsteelbasins.com
Email us at: sales@gibsonsteelbasins.com

EST. 1996

CCB 150089