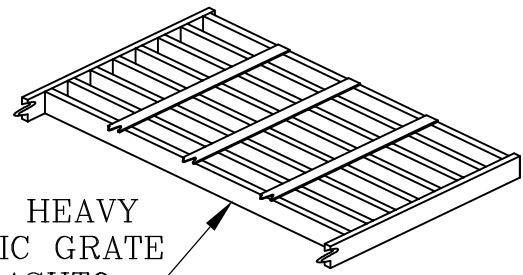


PLAN VIEW



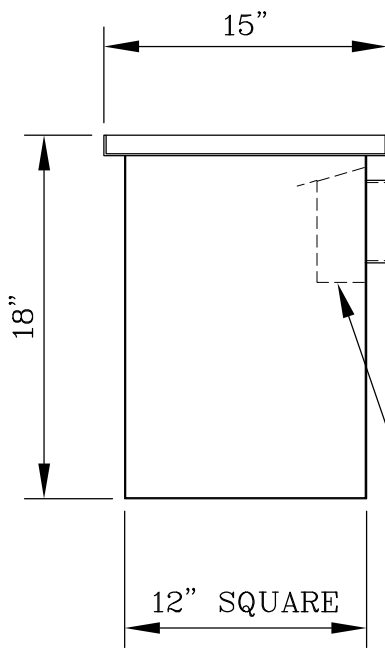
BIKE PROOF, HEAVY
DUTY TRAFFIC GRATE
SUPPORTS AASHTO
H20 LOADS

GRATING

NOTES:

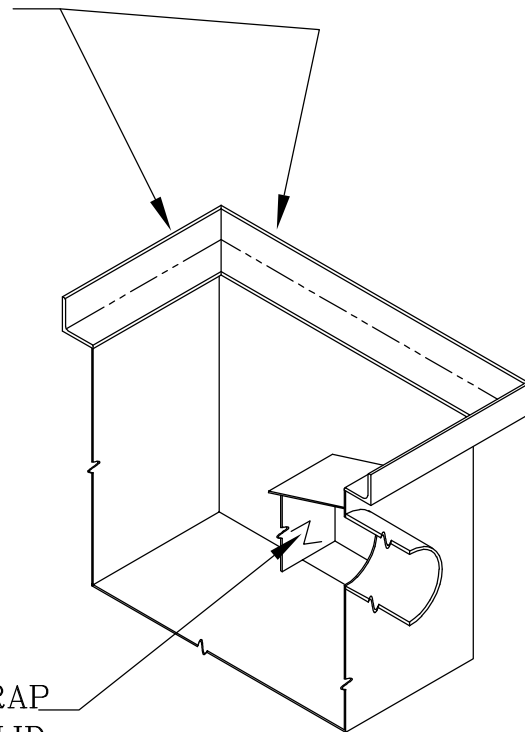
BOX FABRICATED FROM
10 GA. MATERIAL

4"φ OR 6"φ
OUTLET



SIDE VIEW

L1 1/2 x 1 1/2 x 3/16
FRAME
4"φ OR 6"φ
OUTLET



ISOMETRIC SECTION

SEDIMENT TRAP
W/ HINGED LID

STATE APPROVED — ASPHALT DIPPED

12" SQUARE — 4"φ OR 6"φ OUTLET

LANDSCAPING MINI-BASIN

MODEL: GMCB10-1218HB-4&6

DATE: 11/19/2020

SCALE: NONE

DWG #

L3

Gibson Steel Basins, Inc.

1040 Arrowsmith St. Eugene Or. 97402
(541) 484-7200 or (800) 574-8096

Visit us at: www.gibsonsteelbasins.com

Email us at: sales@gibsonsteelbasins.com

EST. 1996

CCB 150089