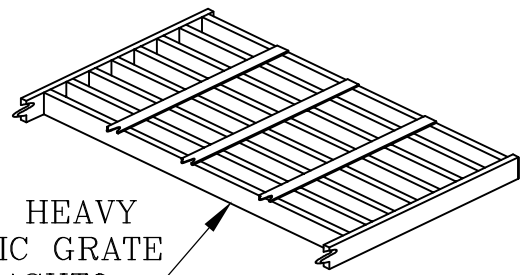


PLAN VIEW



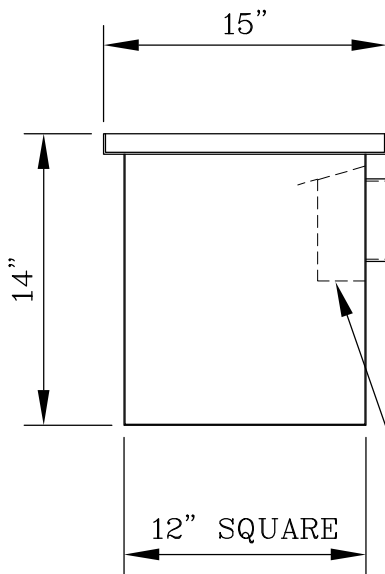
BIKE PROOF, HEAVY
DUTY TRAFFIC GRATE
SUPPORTS AASHTO
H2O LOADS

GRATING

NOTES:

BOX FABRICATED FROM
10 GA. MATERIAL

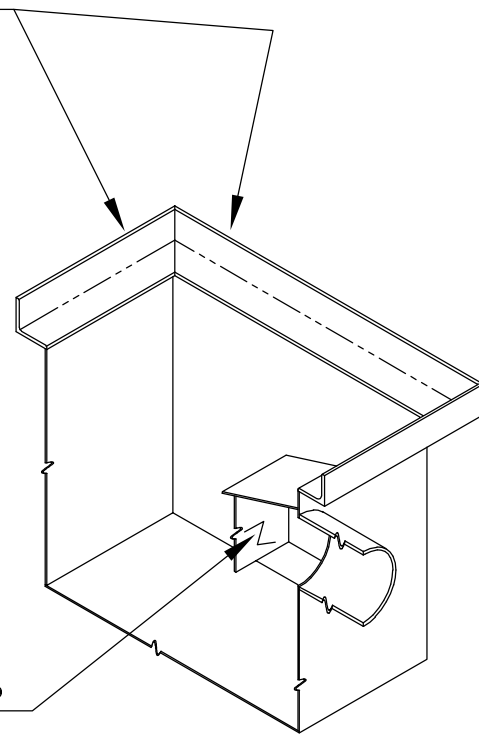
4"Ø OR 6"Ø
OUTLET



SIDE VIEW

L1½x1½x³/₁₆
FRAME

4"Ø OR 6"Ø
OUTLET



SEDIMENT TRAP
W/ HINGED LID

ISOMETRIC SECTION

STATE APPROVED — ASPHALT DIPPED

12" SQUARE — 4"Ø OR 6"Ø OUTLET

LANDSCAPING MINI-BASIN

MODEL: GMCB10-1214HB-4&6

DATE: 11/19/2020

SCALE: NONE

DWG #
L2

Gibson Steel Basins, Inc.

1040 Arrowsmith St. Eugene Or. 97402
(541) 484-7200 or (800) 574-8096

Visit us at: www.gibsonsteelbasins.com

Email us at: sales@gibsonsteelbasins.com

EST. 1996

CCB 150089