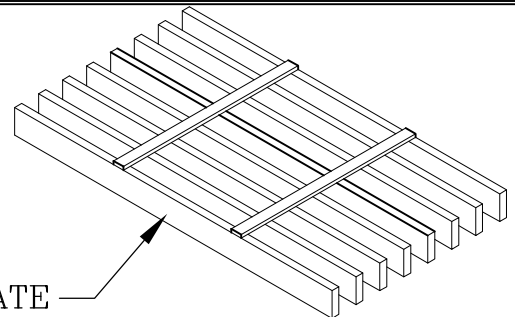


PLAN VIEW



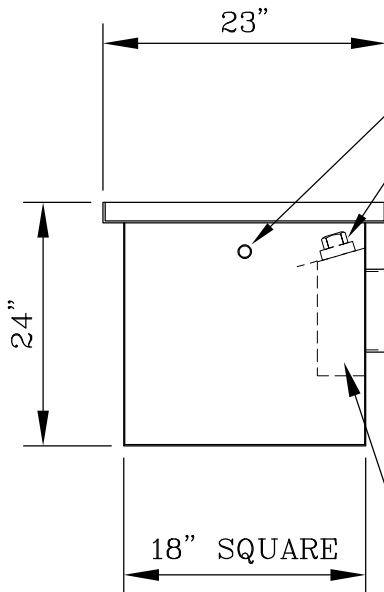
BIKE PROOF GRATE

GRATING

NOTES:

BOX FABRICATED FROM  
10 GA. MATERIAL

L2 1/2 x 2 1/2 x 3/16  
FRAME

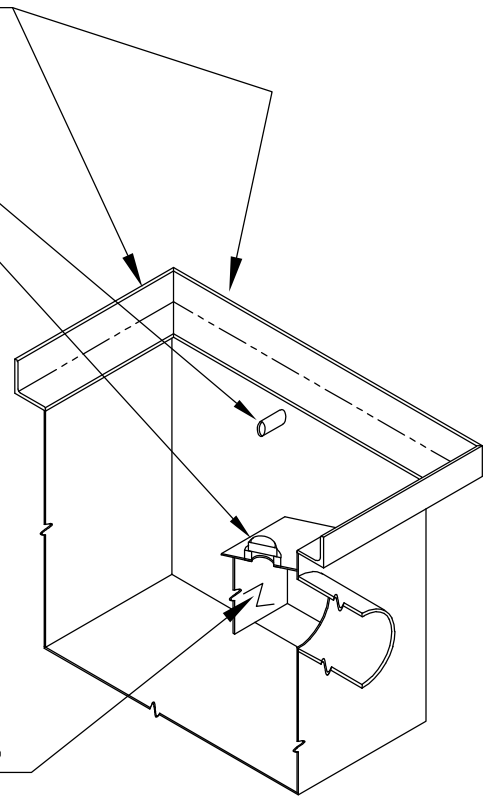


SIDE VIEW

TRAP PRIMER  
4"  $\phi$  THREADED  
CLEAN-OUT

4"  $\phi$  OR 6"  $\phi$   
OUTLET

SEDIMENT TRAP  
W/ HINGED LID



ISOMETRIC SECTION

STATE APPROVED — ASPHALT DIPPED

18" SQUARE — 4"  $\phi$  OR 6"  $\phi$  OUTLET

COMPACT BASIN

MODEL: GCB10-1824HB-4&6-TP

DATE: 11/19/2020

SCALE: NONE

DWG #

**C2**

**Gibson Steel Basins, Inc.**

1040 Arrowsmith St. Eugene Or. 97402  
(541) 484-7200 or (800) 574-8096

Visit us at: [www.gibsonsteelbasins.com](http://www.gibsonsteelbasins.com)

Email us at: [sales@gibsonsteelbasins.com](mailto:sales@gibsonsteelbasins.com)

EST. 1996

CCB 150089