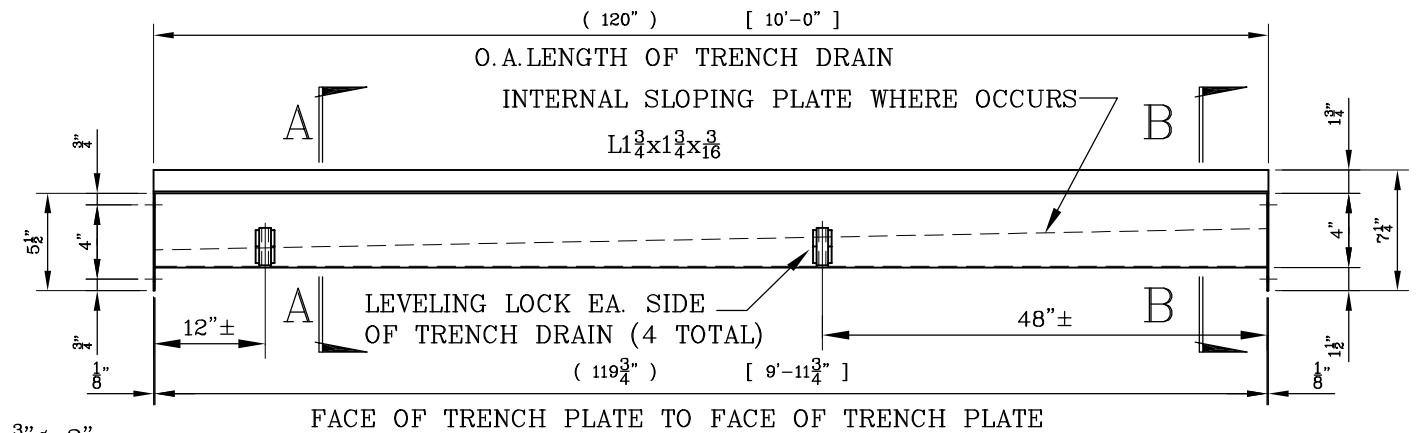
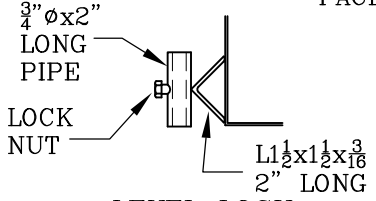


PLAN VIEW

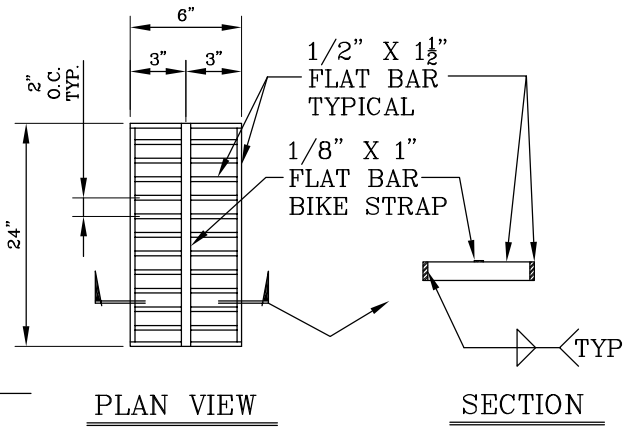
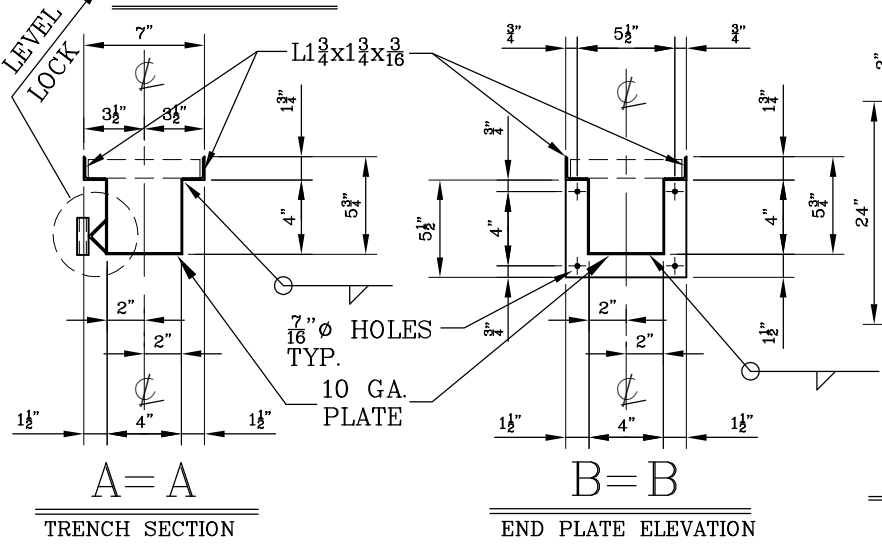


ELEVATION

TYPICAL TRENCH DRAIN



LEVEL LOCK



TYPICAL TRENCH GRATE

(5 TOTAL FOR EACH TRENCH)



Gibson Steel Basins
SINCE 1972

4" WIDE x 4" DEEP

10 FOOT LONG FLAT TRENCH DRAIN

PROJ. MAN. DOUG P.

DWN. PAUL G.

SCALE NONE

DATE: JAN. 23, 06

MODEL: GTD-44

DWG #

TD4