

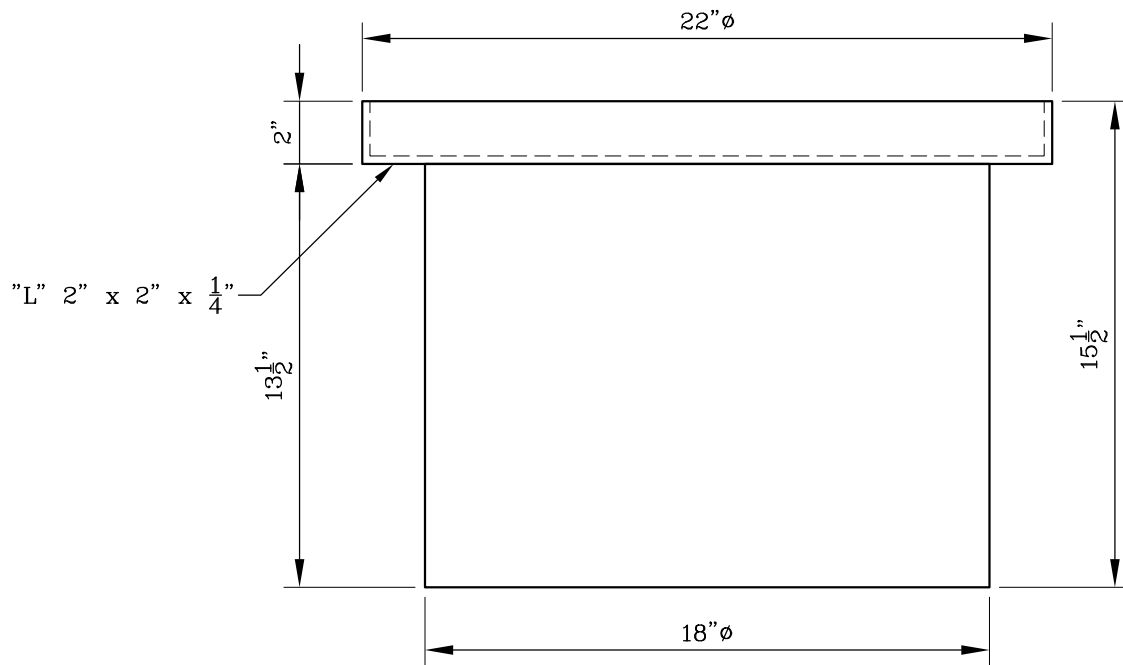
GRATE - F.B. $\frac{1}{4}$ " x $1\frac{3}{4}$ "

STRAP - F.B. $\frac{1}{8}$ " x 1"

NOTES:

MATERIAL:
10 GAUGE
ASPHALT DIPPED

PLAN VIEW



"L" 2" x 2" x $\frac{1}{4}$ "

ELEVATION



Gibson Steel Basins
SINCE 1972

18" ϕ VAULT SUMP

TUALITIN VALLEY WATER DISTRICT

PROJ. MAN. DOUG P.

DWN. PAUL G.

SCALE NONE

DATE: MAY 17, 06

MODEL: GSB-VSB

DWG #
V1