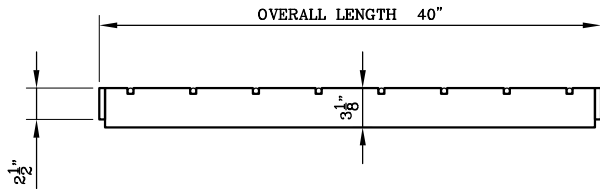


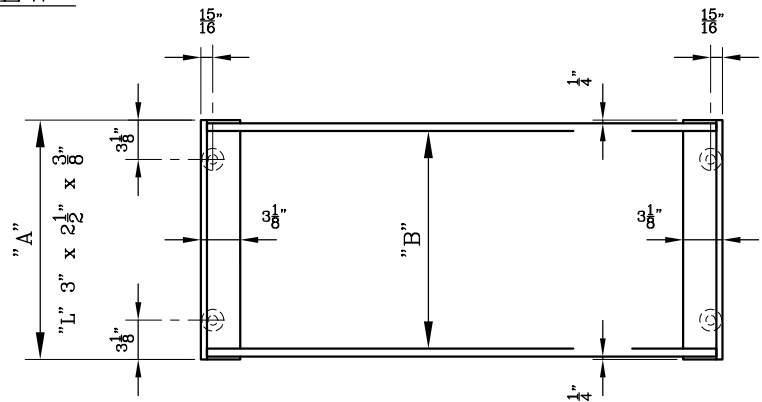
BAR GRATE PLAN VIEW



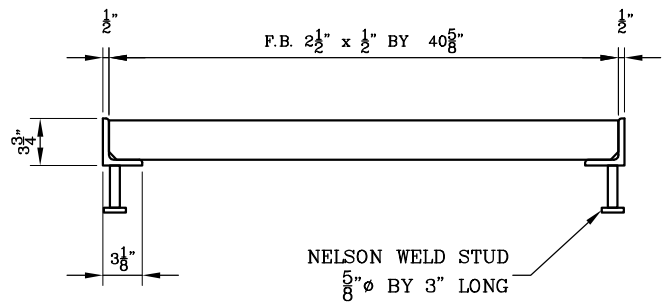
BAR GRATE ELEVATION VIEW

GRATE DIMENSION SCHEDULE			
TOP OPENING TYPE OR INLET TYPE	C	NUMBER OF BARS	REMARKS
"G" "CG"	13 1/2"	8	ONE GRATE
"G-1" "CG-1"	21"	12	ONE GRATE
"G-2" "CG-2"	13 1/2"	8	TWO GRATES

FRAME DIMENSION SCHEDULE		
TOP OPENING TYPE OR INLET TYPE	A	B
"G" "CG"	15 1/4"	13 7/8"
"G-1" "CG-1"	22 3/4"	21 3/8"
"G-2" "CG-2"	28 3/4"	27 3/8"



FRAME ELEVATION VIEW



FRAME ELEVATION VIEW

STATE APPROVED - ASPHALT DIPPED



Gibson Steel Basins
SINCE 1972

TYPE-2 BAR GRATE

STATE OF OREGON - O.D.O.T.

PROJ. MAN. DOUG P.

DWN. PAUL G.

SCALE NONE

DATE: MAY 17, 06

MODEL: GSB-G-ODOT G1-2

DWG #

E3