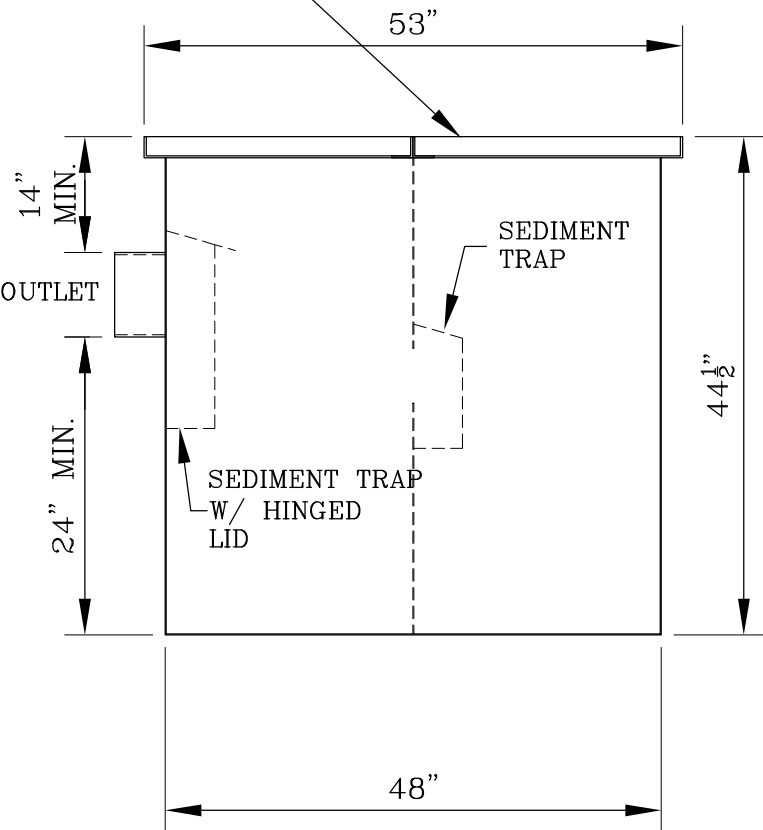


PLAN VIEW

L2 1/2 x 2 1/2 x 3/16
FRAME



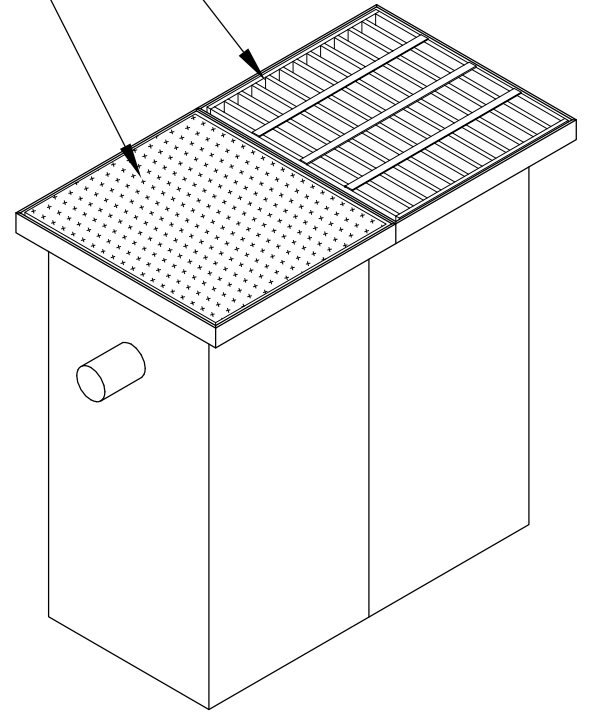
SIDE VIEW

NOTES:

BOX FABRICATED FROM
10 GA. MATERIAL

DUCTILE IRON SOLID LID
& DUCTILE IRON GRATE

BIKE PROOF, HEAVY
DUTY TRAFFIC GRATE
SUPPORTS AASHTO
H25 LOADS



ISOMETRIC

STATE APPROVED — ASPHALT DIPPED



Gibson Steel Basins
SINCE 1972

24" x 42" — 6" Ø OUTLET

SAND COLLECTOR CATCH BASIN

PROJ. MAN. DOUG P.

DWN. PAUL G.

SCALE NONE

DATE: JAN. 23, 06

MODEL: SCB10-42HB-6

DWG #

D2