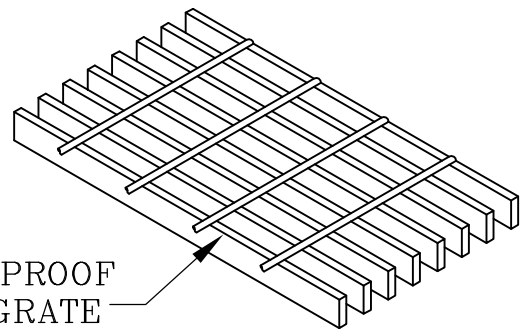


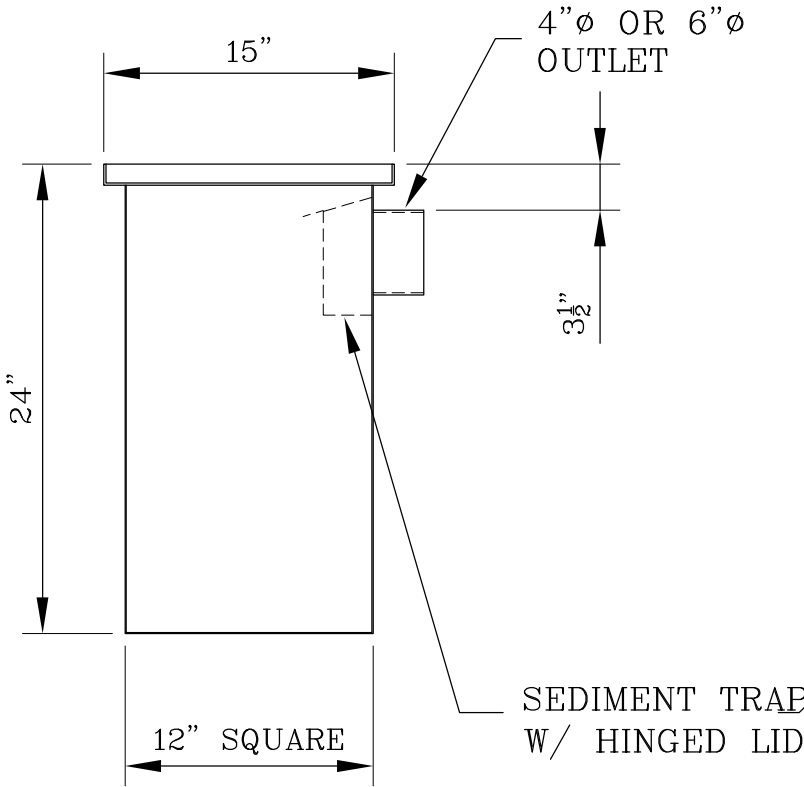
PLAN VIEW



GRATING

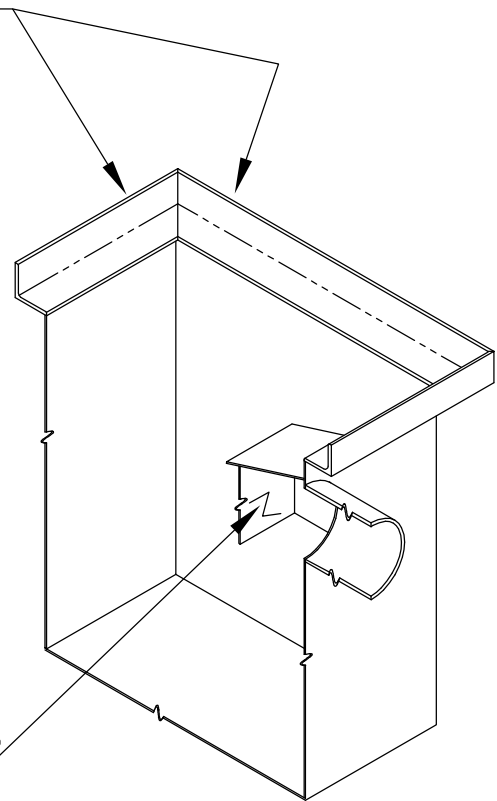
NOTES:

BOX FABRICATED FROM
10 GA. MATERIAL



SIDE VIEW

L1 1/2 x 1 1/2 x 3/16
FRAME



ISOMETRIC SECTION

STATE APPROVED — ASPHALT DIPPED



Gibson Steel Basins
SINCE 1972

12" SQUARE — 4" ϕ OR 6" ϕ OUTLET

LANDSCAPING MINI-BASIN

PROJ. MAN. DOUG P.

DWN. PAUL G.

SCALE NONE

DATE: JAN. 23, 06

MODEL: GMCB10-1224HB-4&6

DWG #
L5