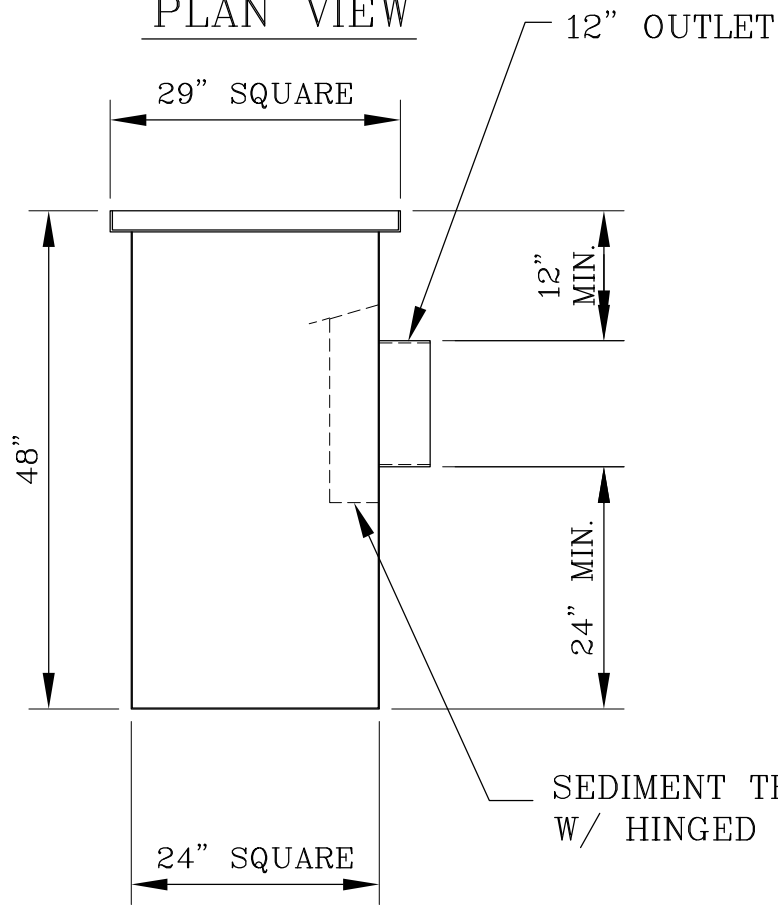
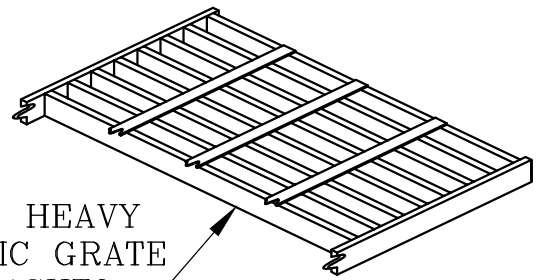


PLAN VIEW



SIDE VIEW

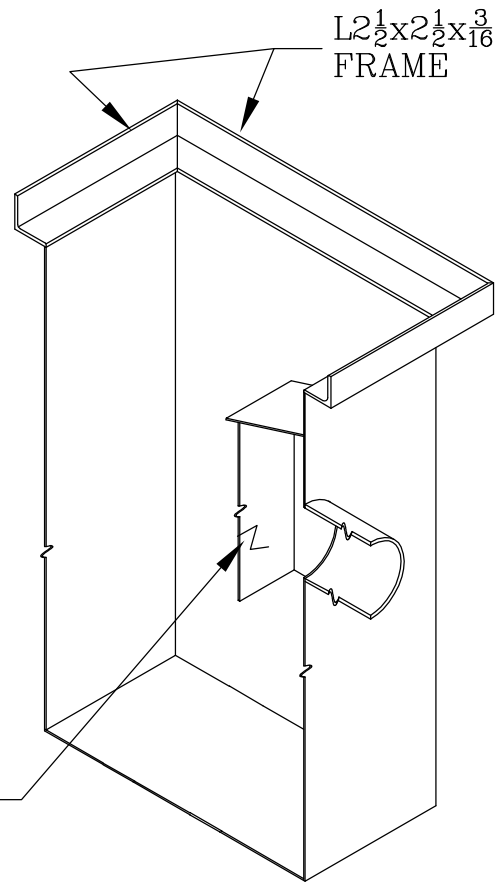


BIKE PROOF, HEAVY
DUTY TRAFFIC GRATE
SUPPORTS AASHTO
H25 LOADS

GRATING

NOTES:

BOX FABRICATED FROM
10 GA. MATERIAL



ISOMETRIC SECTION

STATE APPROVED — ASPHALT DIPPED



Gibson Steel Basins
SINCE 1972

24" SQUARE — 12" Ø OUTLET

STORM WATER CATCH BASIN

PROJ. MAN. DOUG P.

DWN. PAUL G.

SCALE NONE

DATE: JAN. 23, 06

MODEL: MPCB10-48HB-12

DWG #

T4