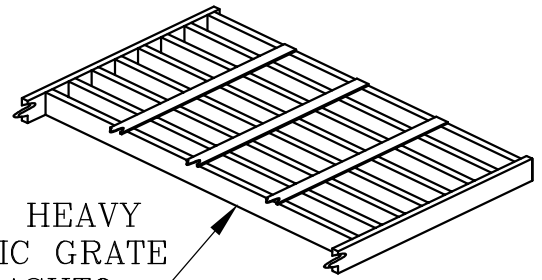


PLAN VIEW

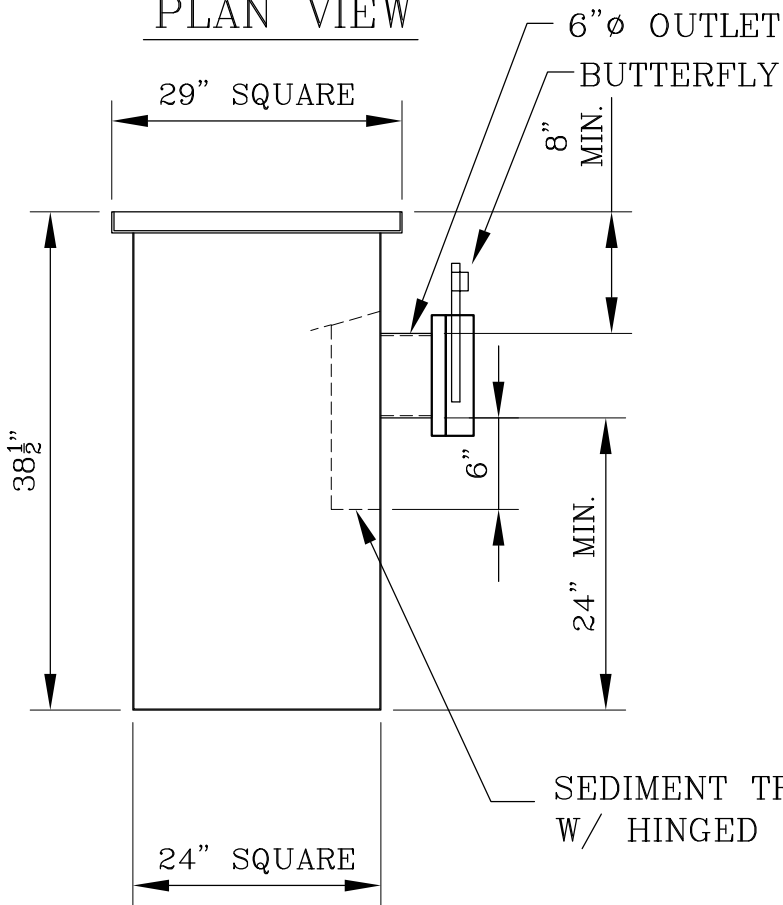


BIKE PROOF, HEAVY
DUTY TRAFFIC GRATE
SUPPORTS AASHTO
H25 LOADS

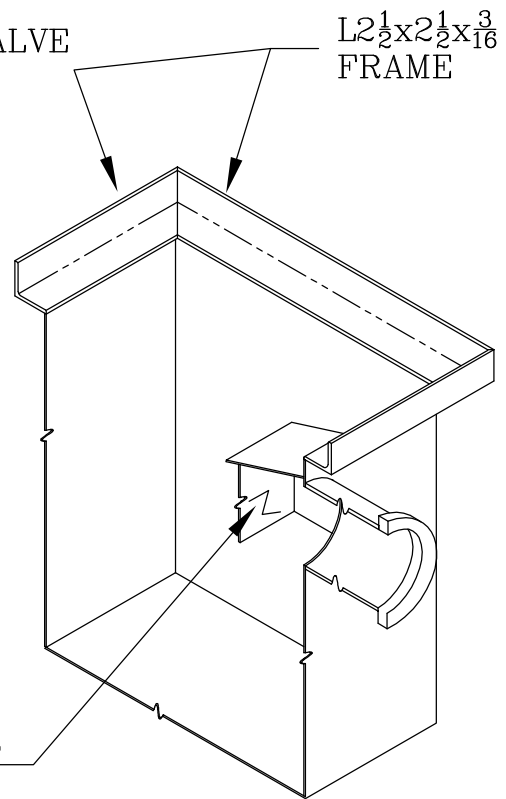
GRATING

NOTES:

BOX FABRICATED FROM
10 GA. MATERIAL



SIDE VIEW



ISOMETRIC SECTION

STATE APPROVED — ASPHALT DIPPED



Gibson Steel Basins
SINCE 1972

24" SQUARE — 6"Ø OUTLET

STORM WATER CATCH BASIN — BUTTERFLY VALVE

PROJ. MAN. DOUG P.

DWN. PAUL G.

SCALE NONE

DATE: JAN. 23, 06

MODEL: GCB10-36HB-6-BV

DWG #

SBV